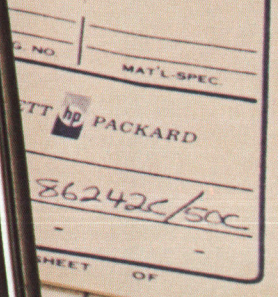
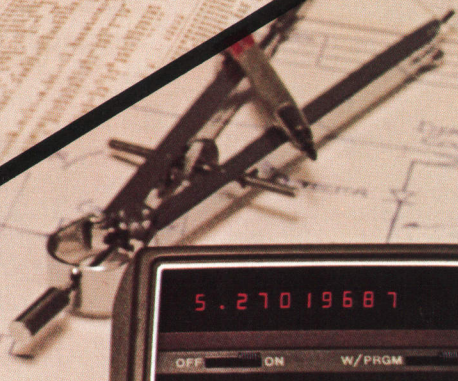
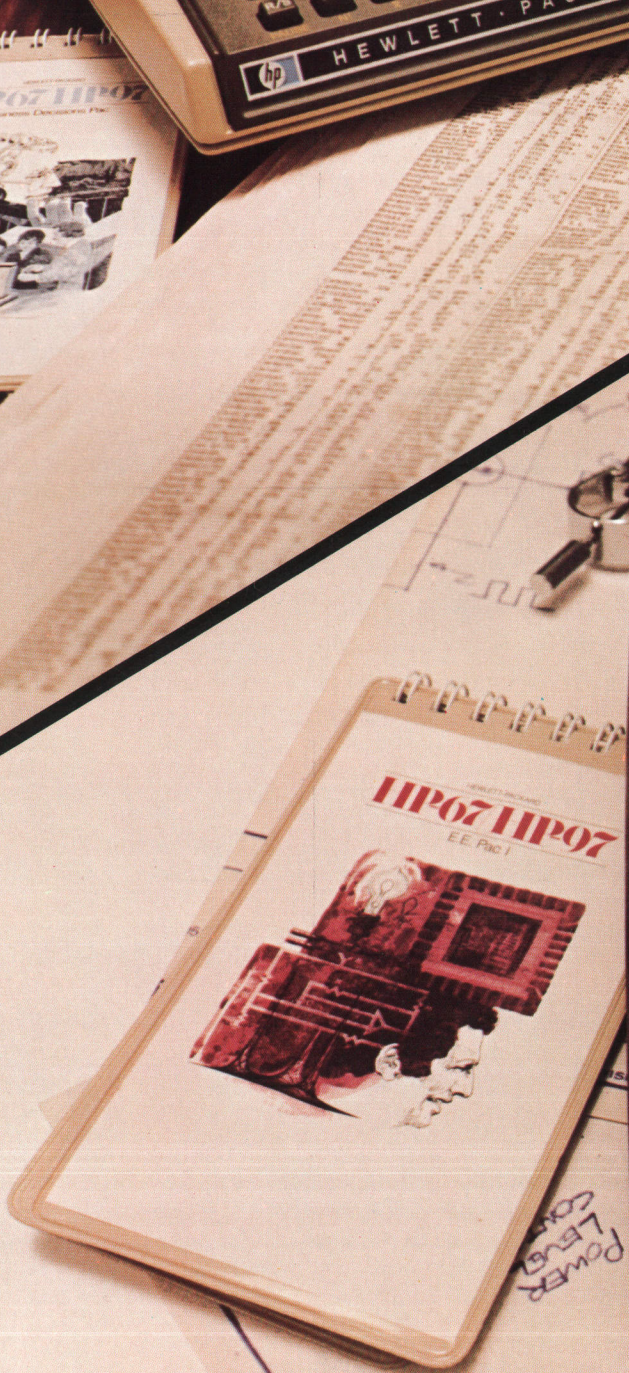


HEWLETT-PACKARD JOURNAL



A Pair of Program-Compatible Personal Programmable Calculators

One is a small, portable printing calculator and the other is a hand-held version without a printer. Both versions feature a "smart" magnetic card reader, and each can run the other's programs.

by Peter D. Dickinson and William E. Egbert

TWO POWERFUL NEW fully programmable personal calculators in the tradition of the HP-65 (the first fully programmable pocket-sized scientific calculator)¹ are the pocket-sized HP-67, Fig. 1, and the HP-97, Fig. 2, a briefcase-portable calculator that has a built-in thermal printer, a buffered keyboard, and a large easy-to-read display. Both new calculators can read and record programs on magnetic cards using their built-in firmware-controlled magnetic card reader/recorders.

A novel feature of these two new calculators is that they have exactly the same programmable instruction set. Even the instructions that are used to control the thermal printer on the HP-97 can be programmed on the HP-67 and are interpreted as meaningful display commands when executed by the HP-67. Programs stored on magnetic cards are written in a code that can be properly interpreted by either an HP-67 or an HP-97. Programs written on either machine can be run on the other with appropriate key codes displayed (see Fig. 3).

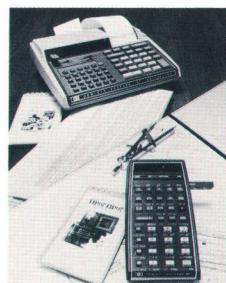
Design Philosophy

The basic design goal of the HP-67 and HP-97 development was to provide moderately priced computing tools capable of easily solving real-world problems. To achieve this goal, previous HP calculators were analyzed for possible improvement. The successful HP-65 contained many innovative features, including its magnetic card reader. Other features that have been well received by users include fully merged key codes, engineering notation, and a pause function. A selection of the best features of the HP calculator line can be found in the instruction set of the HP-67 and HP-97.

Speed and memory capacity were also considered during the design of the HP-67 and HP-97. Portable operation was desired, so battery capacity placed a

major limitation on speed. After several alternatives were considered, the low-cost, moderate-speed micro-processor used in the HP-91 and the HP-21/22/25 series² was chosen; it yields a system speed roughly equivalent to that of the HP-65.

After examination of hundreds of HP-65 application programs it was decided that data memory should be easy to address and efficient to use, since 17.3% of the operations in a typical program were found to be data



Cover: The HP-97 and the HP-67 are fully programmable portable calculators that can run each other's programs. The HP-97 has a built-in thermal printer. The HP-67 and HP-97 are described in the article on page 2. The printer and the HP-91 Calculator that was the first to use it are described in the article on page 9.

In this Issue:

A Pair of Program-Compatible Personal Programmable Calculators, by Peter D. Dickinson and William E. Egbert **page 2**

Portable Scientific Calculator Has Built-In Printer, by Bernard E. Musch and Robert B. Taggart **page 9**

The New Accuracy: Making $2^3 = 8$, by Dennis W. Harms, **page 16**.

High-Power Solid-State 5.9-12.4-GHz Sweepers, by Louis J. Kuhlman, Jr. . **page 19**

The GaAs FET in Microwave Instrumentation, by Patrick H. Wang, **page 22**.



Fig. 1. HP-67 is the fully programmable successor to the HP-65. Besides having more computing power than its predecessor, it is program-compatible with the HP-97 shown in Fig. 2.

store and recall operations. It was also felt that a balance should be provided between program memory and data memory. The HP-67 and HP-97 have a program memory consisting of 224 fully merged

program steps and a data memory consisting of 26 data storage registers. Fig. 4 shows the register structure of the HP-67 and HP-97.

A final design goal was to provide useful new features within the framework of an RPN (reverse Polish notation) logic system. Some of these features include a "smart" card reader, data read and write capability, program merging, a round function, an improved pause, and several types of indirect addressing.

All HP-67 and HP-97 programmable features are implemented as microprogrammed firmware for the built-in microprocessor. Since these microprograms form the basic structure of the calculators, a great deal of effort went into producing efficient debugged code. To aid in program development, a cross assembler and a sophisticated simulator/debug system were developed for use on an HP 2100 minicomputer.

Final firmware was implemented in mask-programmable read-only memories. It was quickly recognized that a significant cost reduction for the HP-67 compared to the HP-65 would require improved packaging of the logic circuits. The multichip hybrid and multilayer printed circuit board that made the HP-65 possible was an expensive solution, so a new chip was developed that combined 1024 10-bit words of ROM with 16 56-bit registers on a single chip. This chip was designed to be packaged in an 8-pin plastic package, allowing all the HP-67 logic to be assembled in discrete packages on a conventional two-sided printed circuit board. Fig. 5 shows a comparison of the HP-65 and HP-67 logic boards.



Fig. 2. HP-97 is a fully-programmable printing calculator that fits in a standard attache case. It weighs only 1.13 kg including battery pack.

HP-67 Program Memory			HP-97 Program Memory		
Step	Instruction	Keycode	Step	Instruction	Keycode
001	f LBL A	31 25 11	001	LBL A	21 11
002	g x ²	32 54	002	x ²	53
003	h π	35 73	003	f π	16-24
004	x	71	004	x	-35
005	h RTN	35 22	005	RTN	24

Fig. 3. HP-67 and HP-97 programs are exactly the same, but some operations are prefixed in the HP-67 and not in the HP-97. Programs recorded on magnetic cards are automatically loaded correctly for the calculator being used.

Improved production techniques were also studied as a means of improving manufacturing efficiency and reducing cost. One of the most significant new tools developed for the HP-67 and HP-97 is an automatic on-board IC tester designed to speed up production testing and service. The programming capability of the HP-67 and HP-97 made it possible to write self-testing diagnostic programs to aid in the production process.

New Features

Program memory in an HP-67 or HP-97 is composed of 224 8-bit steps. Programs are stored in the 32 56-bit registers contained on two of the new data/ROM chips. To increase programming efficiency all programmable operations are stored as single 8-bit instructions. Since eight bits only allow 256 different operations, a new form of display formatting and segmented data storage were used to achieve a fully merged instruction set. The HP-67 and HP-97 use 250 of the 256 possible instructions.

Among the new features of the instruction set is a round function, which rounds the internal representation of a number to correspond with the number shown in the display. This allows rounding to a specified number of digits after the decimal point, or rounding to a number of significant digits, depending on the type of display format chosen. The round feature is particularly useful in financial programs to assure that dollars and cents are properly rounded during chain calculations.

An improved pause function allows the keyboard to become active during a pause. Data can be entered, functions executed and magnetic cards can be read during a pause, after which the program will automatically resume execution.

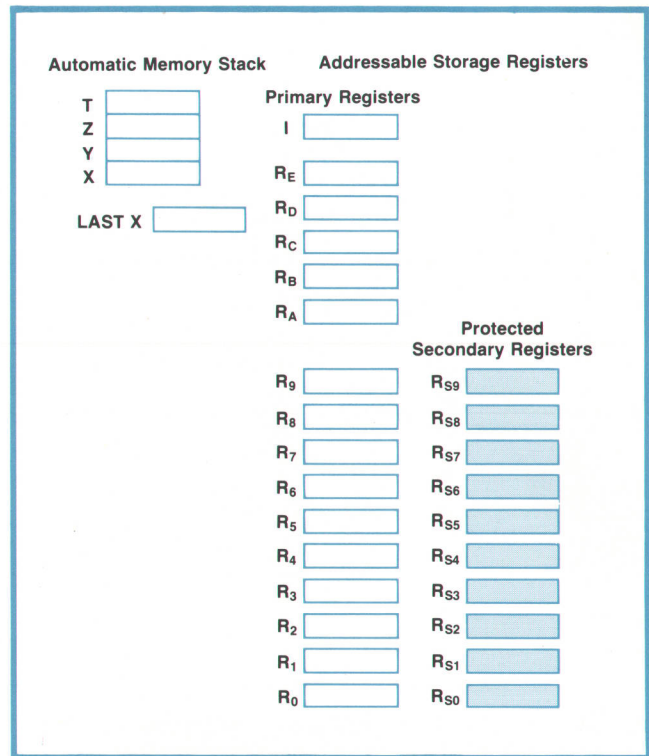


Fig. 4. The HP-67 and HP-97 have a four-register operational stack and a register that retains the last number in the X-register, which is the display register. There are 26 addressable data storage registers, including the I-register, that can be used for indirect control. Protected secondary registers cannot be accessed directly with STO and RCL keys. These registers are used most often for statistical functions and programming, but they can be accessed from the keyboard using the P=S key.

Program merging permits the user to add to or alter a program that is already in the calculator. The user specifies the last step of the current program to be preserved, presses **f MERGE** (HP-97), and loads a card containing the new program. The new program then replaces the current program starting with the step after the one specified.

An assortment of indexed and indirectly addressed operations provide computing power, interest, and challenge for the sophisticated programmer. Besides indirect store and recall of data, other indirect features include an indirect GO TO instruction, a form of indexed relative addressing, and indirect control of display formatting. To aid in editing, the HP-67 and HP-97 can go to any line number while in either run or program mode.

Other new features include three-level subroutine nesting, ten user-definable functions, advanced statistical functions, and 14 conditional branching instructions.

The thermal printer of the HP-97 can print programs, registers, the entire stack, or just the display register. A program can also be traced using the

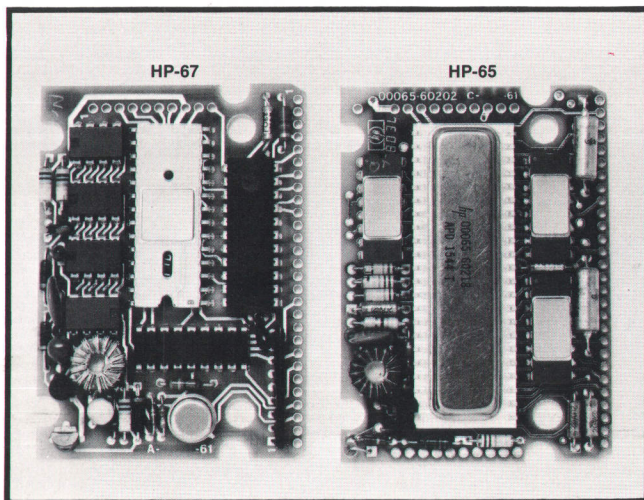


Fig. 5. A new combined ROM and data-storage chip makes it possible to put all the HP-67 logic in discrete packages on a conventional two-sided printed circuit board. Here the HP-67 logic board is compared with the HP-65 logic board.

printer, with operations and intermediate results printed out step by step to simplify program debugging. The printer itself is the same as that in the HP-91 Calculator (see article, page 9).

I-Register for Indirect Control

Indirect operations are implemented using the I-register. The number in this register can be altered using the operations **STO I**, **f x=I**, **f ISZ I**, and **f DSZ I** on the HP-97, or the equivalent key sequences on the HP-67. The last two operations increment or decrement the number in the I-register by one and skip an instruction if the number left in the I-register is zero.

The value contained in the I-register can also be used to control other operations. The **(i)** (indirect) function combined with certain other functions allows the user to control those functions using the current number in the I-register. **(i)** uses the number stored in the I-register as an address.

The indirect HP-97 operations that can be controlled by the I-register are:

DSP (i), when the number in the I-register is 0 through 9, changes display formatting so that the number in the display contains the number of decimal places specified by the current number in the I-register.

STO (i), when the number in the I-register is 0 through 25, stores the value that is in the display in the primary or secondary storage register addressed by the current number in the I-register.

RCL (i), when the number in the I-register is 0 through 25, recalls the contents of the primary or secondary storage register addressed by the current number in the I-register.

STO + (i), **STO - (i)**, **STO × (i)**, **STO ÷ (i)**, when the

number in the I-register is 0 through 25, performs storage register arithmetic upon the contents of the primary or secondary storage register addressed by the current number in the I-register.

f ISZ (i), when the number in the I-register is 0 through 25, increments (adds 1 to) the contents of the primary or secondary storage register addressed by the current number in the I-register. In a running program, one step is skipped if the contents of the addressed register are then zero.

f DSZ (i), when the number in the I-register is 0 through 25, decrements (subtracts 1 from) the contents of the primary or secondary storage register addressed by the current number in the I-register. In a running program, one step is skipped if the contents of the addressed register are then zero.

GTO (i), when the number in the I-register is 0 or a positive 1 through 19, transfers execution of a running program sequentially downward through program memory to the next label specified by the current number in the I-register. Labels A-E and a-e are treated as 10-19 for indirect branching.

GTO (i), when the number in the I-register is a negative number between -1 and -999, transfers execution of a running program back in program memory the number of steps specified by the current negative number in the I-register. This can be used to branch rapidly to any step number of program memory.

GSB (i), when the number in the I-register is 0 through 19, transfers execution of a running program to the subroutine specified by the current number in the I-register. Like a normal subroutine, when a **RTN** is encountered, execution transfers forward and continues with the step following the **GSB (i)** instruction.

GSB (i), when the number in the I-register is a negative number between -1 and -999, transfers execution of a running program back in program memory the number of steps specified by the current negative number in the I-register. Operation is then like a normal subroutine.

If the number in the I-register is outside the specified limits when the calculator attempts to execute one of these operations, the display will show **Error**. When using the **(i)** function, the calculator uses for an address only the integer portion of the number currently stored in the I-register. Thus, 25.99998785 stored in the I-register retains its full value there, but when used as address **(i)**, it is read as 25 by the calculator.

Fig. 6 is an example of a program that uses the indirect **GO TO** and indirect store and recall of data. This program, "Follow Me," converts the HP-97 into a learn-mode four-function calculator with percent key and automatic constant.

Intelligent Card Reader

Among the important features of the HP-67 and

Follow Me			
861 #LBL#	Clear registers and set index at 24 to begin sequence.	857 STOI	recall constant value.
862 CLFC		858 CLX	
863 P2S		859 RCL	
864 CLFC		860 #LBL6	
865 4		861 DSZ	If I is non zero after dec store 05.
866 4		862 STOI	GTO error.
867 STOI		863 GTO5	Store code and return display to proper status.
868 CLX		864 #LBL1	
869 RTN		865 STOI	
870 #LBL1	Perform addition and put addition code of 1 in display register.	866 CLX	
871 1		867 RCL	
872 1		868 RTN	
873 GTO6		869 #LBLD	Store 24 in I to reset counter and store zero code in R6 for auto reset at end of sequence.
874 #LBL1	Perform subtraction and put 2 in display, then transfer to LBL 0.	870 CLX	
875 2		871 2	
876 2		872 4	
877 GTO8		873 STOI	
878 #LBL1	Perform multiplication and put 3 in display.	874 CLX	
879 3		875 STOI	
880 3		876 RTN	
881 GTO8		877 #LBL1	Store display value, access code after dec, put code in I, transfer to LBL corresponding to code.
882 #LBL1	Perform division and put 4 in the display.	878 STOI	
883 4		879 R4	
884 4		880 DSZ	
885 #LBL0	Decrement step count.	881 RCL	
886 DSZ	GTO function store.	882 XZ	
887 GTO1	GTO error.	883 GTO1	
888 GTO9		884 #LBL0	Reset to start new sequence by setting I to 24 and returning output to display.
889 #LBL1	Store function code and return operation result.	885 CLX	
890 STOI		886 2	
891 R4		887 4	
892 RTN		888 STOI	
893 #LBL1	Perform %, store display register value, and put 5 code in display.	889 CLX	
894 5		890 RCL	
895 5		891 RTN	Perform addition and return to LBL E for next instruction.
896 GTO6	I/O halt code of 6 put in display after storing display register value.	892 #LBL1	
897 #LBL1	Constant code of 7 put in display after display value is stored.	893 XZ	
898 7		894 CLX	
899 DSZ	If I is non zero after decrement, store code.	895 RCL	
900 GTO1	Flag 24 indicating that too many operations have been attempted.	896 +	
901 CLX		897 GTOE	Perform subtraction.
902 2		898 #LBL2	
903 4		899 XZ	
904 PSE		900 CLX	
905 GTO9		901 RCL	
906 #LBL1	Store constant code and	902 CLX	
		903 RCL	
		904 CLX	
		905 RCL	
		906 CLX	
		907 CLX	
		908 CLX	
		909 CLX	
		910 CLX	
		911 CLX	
		912 CLX	
		913 CLX	
		914 CLX	
		915 CLX	
		916 CLX	
		917 CLX	
		918 CLX	
		919 CLX	
		920 CLX	
		921 CLX	
		922 CLX	
		923 CLX	
		924 CLX	
		925 CLX	
		926 CLX	
		927 CLX	
		928 CLX	
		929 CLX	
		930 CLX	
		931 CLX	
		932 CLX	
		933 CLX	
		934 CLX	
		935 CLX	
		936 CLX	
		937 CLX	
		938 CLX	
		939 CLX	
		940 CLX	
		941 CLX	
		942 CLX	
		943 CLX	
		944 CLX	
		945 CLX	
		946 CLX	
		947 CLX	
		948 CLX	
		949 CLX	
		950 CLX	
		951 CLX	
		952 CLX	
		953 CLX	
		954 CLX	
		955 CLX	
		956 CLX	
		957 CLX	
		958 CLX	
		959 CLX	
		960 CLX	
		961 CLX	
		962 CLX	
		963 CLX	
		964 CLX	
		965 CLX	
		966 CLX	
		967 CLX	
		968 CLX	
		969 CLX	
		970 CLX	
		971 CLX	
		972 CLX	
		973 CLX	
		974 CLX	
		975 CLX	
		976 CLX	
		977 CLX	
		978 CLX	
		979 CLX	
		980 CLX	
		981 CLX	
		982 CLX	
		983 CLX	
		984 CLX	
		985 CLX	
		986 CLX	
		987 CLX	
		988 CLX	
		989 CLX	
		990 CLX	
		991 CLX	
		992 CLX	
		993 CLX	
		994 CLX	
		995 CLX	
		996 CLX	
		997 CLX	
		998 CLX	
		999 CLX	
		1000 CLX	
		1001 CLX	
		1002 CLX	
		1003 CLX	
		1004 CLX	
		1005 CLX	
		1006 CLX	
		1007 CLX	
		1008 CLX	
		1009 CLX	
		1010 CLX	
		1011 CLX	
		1012 CLX	
		1013 CLX	
		1014 CLX	
		1015 CLX	
		1016 CLX	
		1017 CLX	
		1018 CLX	
		1019 CLX	
		1020 CLX	
		1021 CLX	
		1022 CLX	
		1023 CLX	
		1024 CLX	
		1025 CLX	
		1026 CLX	
		1027 CLX	
		1028 CLX	
		1029 CLX	
		1030 CLX	
		1031 CLX	
		1032 CLX	
		1033 CLX	
		1034 CLX	
		1035 CLX	
		1036 CLX	
		1037 CLX	
		1038 CLX	
		1039 CLX	
		1040 CLX	
		1041 CLX	
		1042 CLX	
		1043 CLX	
		1044 CLX	
		1045 CLX	
		1046 CLX	
		1047 CLX	
		1048 CLX	
		1049 CLX	
		1050 CLX	
		1051 CLX	
		1052 CLX	
		1053 CLX	
		1054 CLX	
		1055 CLX	
		1056 CLX	
		1057 CLX	
		1058 CLX	
		1059 CLX	
		1060 CLX	
		1061 CLX	
		1062 CLX	
		1063 CLX	
		1064 CLX	
		1065 CLX	
		1066 CLX	
		1067 CLX	
		1068 CLX	
		1069 CLX	
		1070 CLX	
		1071 CLX	
		1072 CLX	
		1073 CLX	
		1074 CLX	
		1075 CLX	
		1076 CLX	
		1077 CLX	
		1078 CLX	
		1079 CLX	
		1080 CLX	
		1081 CLX	
		1082 CLX	
		1083 CLX	
		1084 CLX	
		1085 CLX	
		1086 CLX	
		1087 CLX	
		1088 CLX	
		1089 CLX	
		1090 CLX	
		1091 CLX	
		1092 CLX	
		1093 CLX	
		1094 CLX	
		1095 CLX	
		1096 CLX	
		1097 CLX	
		1098 CLX	
		1099 CLX	
		1100 CLX	
		1101 CLX	
		1102 CLX	
		1103 CLX	
		1104 CLX	
		1105 CLX	
		1106 CLX	
		1107 CLX	
		1108 CLX	
		1109 CLX	
		1110 CLX	
		1111 CLX	
		1112 CLX	
		1113 CLX	
		1114 CLX	
		1115 CLX	
		1116 CLX	
		1117 CLX	
		1118 CLX	
		1119 CLX	
		1120 CLX	
		1121 CLX	
		1122 CLX	
		1123 CLX	
		1124 CLX	
		1125 CLX	
		1126 CLX	
		1127 CLX	
		1128 CLX	
		1129 CLX	
		1130 CLX	
		1131 CLX	
		1132 CLX	
		1133 CLX	
		1134 CLX	
		1135 CLX	
		1136 CLX	
		1137 CLX	
		1138 CLX	
		1139 CLX	
		1140 CLX	
		1141 CLX	
		1142 CLX	
		1143 CLX	
		1144 CLX	
		1145 CLX	
		1146 CLX	
		1147 CLX	
		1148 CLX	
		1149 CLX	
		1150 CLX	
		1151 CLX	
		1152 CLX	
		1153 CLX	
		1154 CLX	
		1155 CLX	
		1156 CLX	
		1157 CLX	
		1158 CLX	
		1159 CLX	
		1160 CLX	
		1161 CLX	
		1162 CLX	
		1163 CLX	
		1164 CLX	
		1165 CLX	
		1166 CLX	
		1167 CLX	
		1168 CLX	
		1169 CLX	
		1170 CLX	
		1171 CLX	
		1172 CLX	
		1173 CLX	
		1174 CLX	
		1175 CLX	
		1176 CLX	
		1177 CLX	
		1178 CLX	
		1179 CLX	
		1180 CLX	
		1181 CLX	
		1182 CLX	
		1183 CLX	
		1184 CLX	
		1185 CLX	
		1186 CLX	
		1187 CLX	
		1188 CLX	
		1189 CLX	
		1190 CLX	
		1191 CLX	
		1192 CLX	
		1193 CLX	
		1194 CLX	
		1195 CLX	
		1196 CLX	
		1197 CLX	
		1198 CLX	
		1199 CLX	
		1200 CLX	
		1201 CLX	
		1202 CLX	
		1203 CLX	
		1204 CLX	
		1205 CLX	
		1206 CLX	

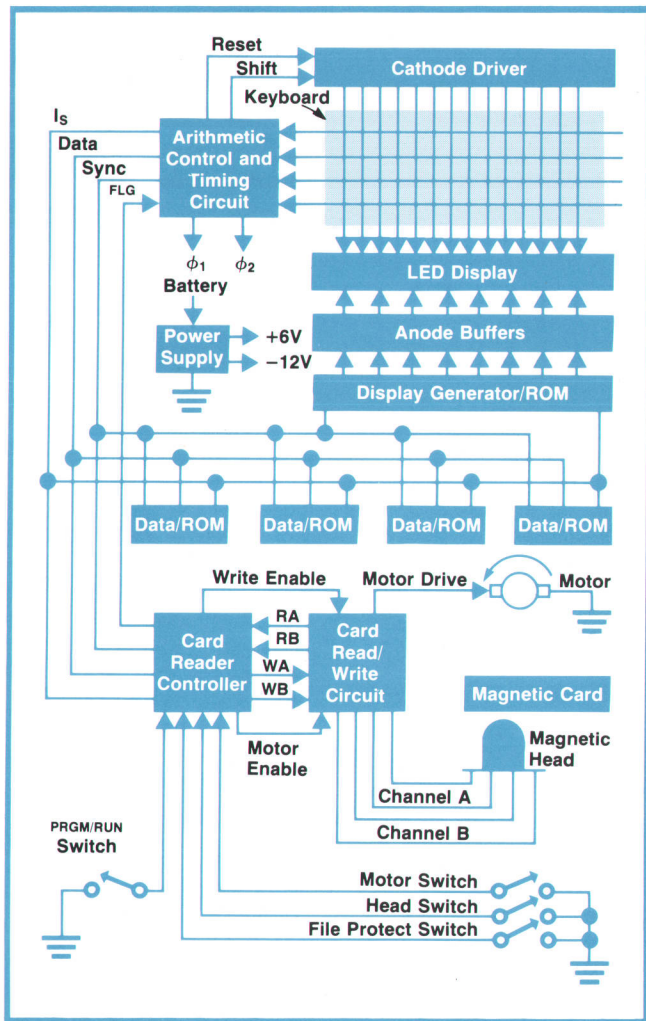


Fig. 7. System organization of the HP-67. The card reader is controlled by the microprocessor so its operation is natural and foolproof.

other 28-bit buffer, so that no bits are lost.

The card passes through the card reader at a nominal 6 centimeters per second. Since the recorded density is slightly greater than 160 bits per cm, the bits must be accepted at approximately a 1-kHz rate. But the microprocessor is capable of executing only approximately three microinstructions in the one millisecond between bits. With the CRC buffering the incoming bit stream, however, the microprocessor need only concern itself with the card reader every 28 milliseconds, on the average. It therefore has approximately $3 \times 28 = 84$ instruction times to process each 28-bit record.

The requirement that cards recorded on any HP-67 or HP-97 be readable on any other HP-67 or HP-97 made for additional considerations. First, the card reader speed can vary $\pm 5\%$ of nominal from one calculator to another. Second, the clock rate controlling the microinstruction execution rate can vary $\pm 5\%$ of nominal from one calculator to another. The firmware

had to be designed taking worst-case values into account, so a card recorded on a calculator with a slow card reader and a fast clock can be read on a calculator with a fast card reader and a slow clock without any bits being lost. This meant that the microprogrammer had to assure that each record could be processed in something less than 84 instruction times.

Card Format

Fig. 8 is a photograph of a magnetic program card with the recorded information made visible. The first 28-bit record on the card is the header, which carries machine status information if the card is a program card. It must be decoded for one of six card types:

- One-sided program
- First side of two-sided program
- Second side of two-sided program
- One-sided data file
- First side of two-sided data file
- Second side of two-sided data file.

The decoding of the header determines where the remainder of the information on the card should be stored and whether or not the user should be prompted to turn the card around and read it again by displaying the message **Crd**.

The next thirty-two 28-bit records are either 112 program steps ($3\frac{1}{2}$ program steps per record) or 16 data registers ($\frac{1}{2}$ data register per record). Since the program and data storage memories are actually identical groups of 56-bit shift registers, records must be packed, two per register, prior to storing. The process of storing each record also includes adding it to a running sum of all the previously read records to form a checksum. This computed checksum is compared to the recorded checksum, which is the last record on the card, to see whether any errors occurred in the reading process. If an error did occur the firmware clears memory and notifies the user by displaying **Error**.

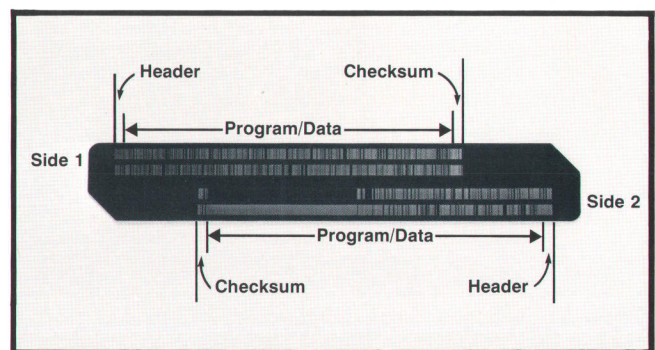



Fig. 8. A typical two-sided program card with the magnetic information made visible. The header tells the firmware what kind of card it is and carries machine status information. Following the header are either 112 program steps or 16 data registers. The last record on the card is a checksum.

Writing a card is fundamentally the same process in reverse. Writing is attempted if a card is inserted into the card reader with the **PRGM/RUN** switch in the **PRGM** position or if a write data command has been issued either from the keyboard or by the program in the **RUN** mode. When the card reaches the head, the head switch is activated. If the corner of the card has not been clipped to protect the card, the write protect switch will also be activated and writing will commence. The firmware generates and transfers to the CRC the 28-bit header record for clocking out onto the card via the read/write chip. Then the appropriate program or data registers are retrieved, unpacked, and transmitted to the CRC. Each record, as it is processed, is added to the checksum, which is then recorded as the last record. If an attempt is made to write on a file-protected card, an error flag is sent from the CRC to the ACT, the firmware generates an **Error** display, and the card is passed without modification.

Acknowledgments

The development of the HP-67 and HP-97 required significant contributions by many people in several HP divisions. The authors would particularly like to express their appreciation to Bob Toda and Richard Jordan for the product design of the HP-67 and HP-97, respectively; Bill Fernandez for his wide range of technical support on both products; Bill Mitchell for the HP-97 keyboard design; Chuck Dodge for the industrial design of both products; Ken Haven for coordinating the design of the plastic parts; Glenn Theodore for his comprehensive product management; Hugh Field and his applications engineers for their contributions to the product definitions and applica-

tions pacs; Dennis York for the HP-67/97 Standard Pac; Don Mackenroth for both excellent owner's handbooks; Walt Henderson and Roger Evans for their cooperative approach to production engineering of the HP-67 and HP-97 respectively; Rich Wheeler for his objectivity and cooperation in the joint development of the card reader controller; She-Chung Sun for the design of the HP-67 cathode driver chip; Dennis Harms for the high-accuracy algorithms used in both products; Jim Speaker and Bob Youden for their understanding but thorough Q.A. of both products; and Ed Heinsen, section manager for both products, who managed by objectives and who also provided technical assistance on the software simulator. 

References

1. C.C. Tung, "The 'Personal Computer': A Fully Programmable Pocket Calculator," Hewlett-Packard Journal, May 1974.
2. M.J. Cook, G.M. Fichter, and R.E. Whicker, "Inside the New Pocket Calculators," Hewlett-Packard Journal, November 1975.
3. R.B. Taggart, "Designing a Tiny Magnetic Card Reader," Hewlett-Packard Journal, May 1974.



Peter D. Dickinson

Now section manager at HP's Data Terminals Division, Peter Dickinson was project manager for the HP-67 and HP-97 Calculators. Peter received his bachelor's and master's degrees in electrical engineering from Cornell University in 1969 and 1970. He started working for HP on a part-time basis in 1967 and joined full-time in 1970. His research and development activities have touched on power supplies, CRT terminals, integrated circuits, and calculators; he holds

one patent and has several pending on various aspects of calculators and CRT terminals. A native of the state of New Jersey, Peter now lives in Monte Sereno, California. He and his wife, who also works for HP, are expecting their first child soon. He's a licensed private pilot, plays guitar, makes stained-glass lamps and windows, dabbles in real estate, and likes to go backpacking.



William E. Egbert

Bill Egbert was project leader for the HP-67 and did the microprogramming for both the HP-67 and the HP-97. He also developed the motor speed control for the printer used in the HP-97 and HP-91. He holds a patent on the speed control and has another pending on the new features of the HP-67/97. Bill received his BSEE degree from Brigham Young University in 1973 and his MSEE from Stanford University in 1976. He's been with HP since 1973. Born in Fallon, Nevada, he's married, has two

small children, and lives in Sunnyvale, California, but will soon be moving with his HP division to Corvallis, Oregon. He and his wife are very active in the Mormon Church. As for hobbies, Bill says, "My only hobby is turning science fiction that I read at home into science fact at work."

Portable Scientific Calculator Has Built-In Printer

It's the first of a new generation of small, portable, printing calculators that operate on rechargeable batteries or line current.

by **Bernard E. Musch and Robert B. Taggart**

IN THE FOUR YEARS SINCE the introduction of personal portable computing to the engineering and scientific community, calculator users have become increasingly more demanding in the capabilities and features they require. This has led to a succession of progressively more powerful and less expensive calculators with improved performance in both functions (firmware) and hardware. The HP-91 (Fig. 1) is the first of a new series of HP products that follow this general trend. Two others are described in the article beginning on page 2.

Not only will the HP-91 solve the user's engineering and scientific problems, but it will solve them more accurately than many earlier calculators, and it will, if the user wishes, write problems and answers down for him. There is nothing conceptually novel about a printing calculator. Long before electronic calcula-

tors, mechanical adding machines provided output on paper tape. What is new in the HP-91 is the thermal printing technology that provides a small quiet printer with 5.7-cm-wide tape, the desk-top-sized keyboard for ease of touch entry, and a large, easy-to-read display all in a 23×20×6-cm package that fits easily into a standard attache case and weighs only 1.13 kg including a self-contained battery pack.

What It Prints

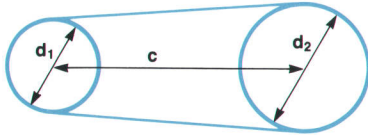
One of the most important decisions that had to be made in functionally implementing the HP-91 was what information to print on the tape and in what format. Providing meaningful printout on a reverse Polish calculator did present some interesting challenges. Since we could easily get 20 characters on the tape, and since the longest possible number is 15



Fig. 1. HP-91 Scientific Printing Calculator fits in a standard attache case and weighs only 1.13 kg including battery pack.

Problem:

Compute the length (L) of a belt connecting two pulleys of known diameters (d₁ and d₂) and center-to-center separation (c).



$$L = \pi d_2 + (d_2 - d_1)(\tan \psi - 4)$$

$$\psi = \cos^{-1} \frac{d_2 - d_1}{2c}$$

HP-91 Solution:

Assume d₁ = 150 mm
 d₂ = 250 mm
 c = 650 mm

Mode Switch: RAD
 Display Mode: FIX 5
 Key Sequence: 150 STO 1 250 STO 2 650 STO 0 RCL 2 RCL 1 - RCL 0 ÷ 2
 + COS⁻¹ STO 3 RCL 2 π × RCL 2 RCL 1 - RCL 3 TAN RCL 3
 - × +

Print Switch: NORM

```

CLEAR
150.00000 S 1
250.00000 S 2
650.00000 S 0
R 2
R 1
-
R 0
2.00000 ÷
COS-1
S 3
R 2
π
R 2
R 1
-
R 3
TAN
R 3
-
×
1932.16658 ***
    
```

User presses PRINT x to print answer.

Print Switch: ALL

```

CLEAR
150.00000 S 1
250.00000 S 2
650.00000 S 0
R 2
R 1
***
150.00000 ***
-
100.00000 ***
P 0
650.00000 ***
÷
0.15385 ***
2.00000 ÷
0.07692 ***
COS-1
1.49380 ***
S 3
R 2
250.00000 ***
π
3.14159 ***
×
785.39816 ***
R 2
250.00000 ***
R 1
150.00000 ***
-
100.00000 ***
R 3
1.49380 ***
TAN
12.96148 ***
R 3
1.49380 ***
-
11.46768 ***
×
1146.76842 ***
+
1932.16658 ***
    
```

Fig. 2. Sample problem illustrates HP-91 printout modes. In ALL mode, the problem can be recreated simply by pressing every key printed, reading left to right and top to bottom, and ignoring all answers, which are identified by ***

characters long (ten mantissa digits, two exponent digits, one decimal point, and two signs), there is enough extra room on a line for a single space and a four-character function mnemonic. The user may

command the machine to print an answer by pressing the PRINT x key. To distinguish a printed answer the mnemonic field is flagged with *** to catch the eye. In addition to PRINT x there are three functions that output only and have no effect on the calculator's memory or display; they merely list the contents of certain registers with appropriate mnemonics. LIST STACK lists the operational stack with stack designators, X, Y, Z, and T. LIST REG lists the contents of the 16 data storage registers with register-number designators. LIST Σ lists the contents of the statistics registers with the designators N, ΣX, ΣY, ΣX², ΣY², ΣXY, since these are the values in these registers if their contents have been accumulated by means of the Σ+ key. The calculator's response to the PRINT x or the LIST functions is the same in all print modes. In MAN (manual) mode the printer is disabled unless one of these functions is called for.

A reverse Polish calculator is ideally suited to provide a recorded history of a problem. The mode that causes the HP-91 to do this is NORM (normal). In normal mode every keystroke, whether digit entry or function, is faithfully recorded on the tape. The design objective was to make it possible to recreate a problem merely by consulting a tape generated in normal mode. An example is shown in Fig. 2. Digits are printed as entered, regardless of display format, except that trailing zeros are added to fixed-point numbers, if possible, to fill out the field and line up the decimal points on the tape. Answers printed by the PRINT x key or LIST functions are in the user's chosen display format. Answers can be printed at any time by pressing PRINT x. When recreating the problem all the user needs do is press every key (digit

Printing on the HP-97

The HP-97 uses the same printer mechanism and electronics as the HP-91. The tape format for the two machines is also very similar. All the printing operations of the HP-91 are found on the HP-97 as programmable instructions with the exception of LIST Σ which is easily implemented by writing a small program.

Differences between the two machines are, for the most part, the result of the fact that the HP-97 is programmable while the HP-91 is not. For example, the ALL mode of printing on the HP-91 corresponds to the TRACE mode on the HP-97. When running a program, TRACE mode records the step number and mnemonic of each instruction as it is executed as well as printing intermediate answers. Such a listing can be used to trace the execution of a program to isolate errors. The HP-97 can also print program listings with optional printing of keycodes. Printing a program is, of course, not programmable. Effective use of the HP-97 printer can simplify the task of writing, debugging and documenting a program and make output results permanent for later use.

-William E. Egbert

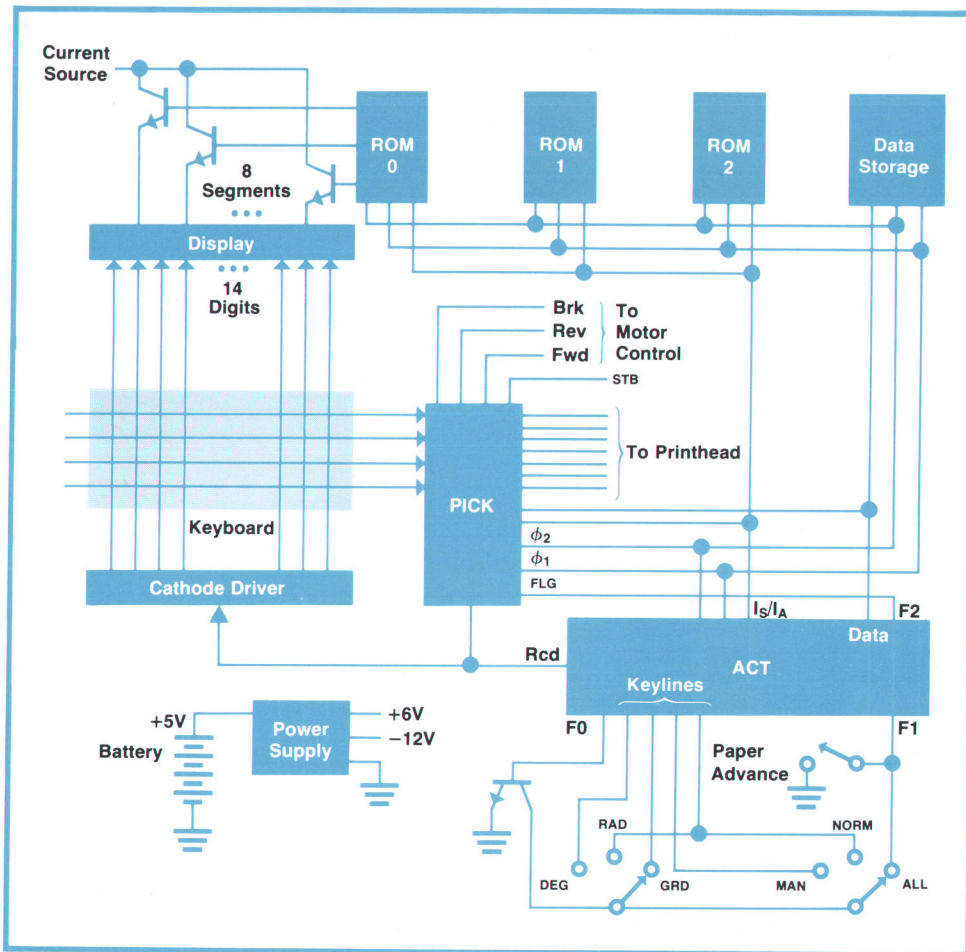


Fig. 3. HP-91 uses the micro-processor developed for the HP-21 series of pocket calculators. Two new circuits in the HP-91 are the 14-digit cathode driver and the printer interface control and keyboard buffer (PICK).

entry or functions) printed in the tape reading left to right and top to bottom and ignoring all answers (numbers tagged ***).

In ALL mode the answer for every function is printed on the next line after the function key is pressed and its mnemonic is printed. One way to think of ALL mode is that the machine is doing an automatic **PRINT X** after any function that could change the value of the displayed X register (other than **ENTER ↑**, storage operations, or clearing operations). In ALL mode, functions that provide more than one number in an answer (**P→R, R→P, LR, X, S, RCL Σ+**) print both numbers with appropriate mnemonics to distinguish them.

Hardware Organization

Fig.3 shows the organization of the system hardware. Regular HP Journal readers may recognize this system as being very similar to the HP-21/22/25 calculator series¹ and in fact this is the case. The main system processor (ACT), the ROMs, and the data storage circuit are essentially the same as those used in the hand-held calculators. Only two new integrated circuits had to be developed for the HP-91, the 14-digit cathode driver and the printer interface control and keyboard buffer circuit (PICK).

Because the combination of complex scientific functions and shuttle-head thermal printing occasionally keeps the system processor busy for extended periods, it was decided to buffer the keyboard so that keystrokes are recognized regardless of the state of the system. This is particularly important because the keyboard mechanism is specially designed for this series of calculators; it has a positive but light feel that is ideally suited for rapid key entry.

Since the new PICK circuit was required for printer control anyway, we decided to include a seven-keystroke-deep buffer on this device. Every key-switch has two contacts, one connected to one of the four key lines that input to the PICK, and the other connected to one of the 14 digit drive lines from the cathode driver. Contact is made when the key is down. The reset cathode driver signal (RCD), which synchronizes the digit scan to the display information in the ACT, is also fed to the PICK, so when one of the key lines is pulled down, an appropriate eight-bit code generated by a counter is loaded into a first-in-first-out shift register. The contents of the key buffer are shipped out on the DATA line when the processor is ready for another key.

Since the main system key register is not used to in-

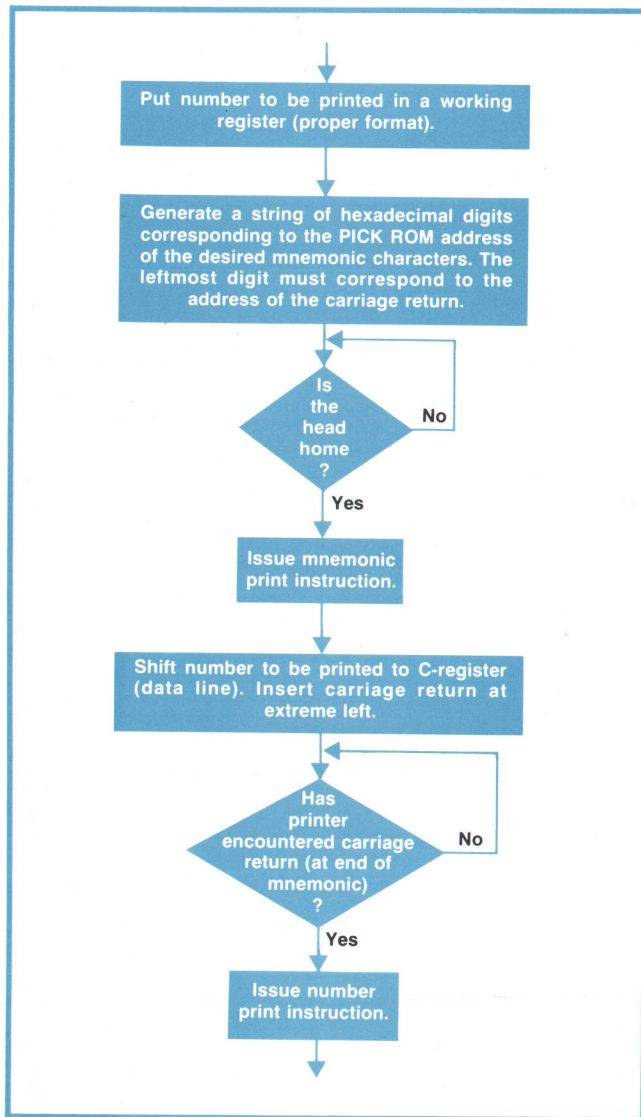


Fig. 4. Flow chart for printing a typical line containing a four-character mnemonic on the right and a 15-character numeral field on the left.

terrogate the keyboard, we connected the ACT key lines to the calculator's three-position mode switches. Toggling the software-settable output flag on the ACT makes the ACT's key buffer respond to a dummy "key down" signal and as a result the contents of the buffer indicate the position of the two mode switches at any time.

The other function of the PICK circuit is to control the printer. The printer can print any of 64 5×7-dot-matrix characters, at least one of which must be a special end-of-line or carriage-return character. The characters are specified as mask-programmable ROM on the integrated circuit so that future machines can use other character sets and the characters may be shifted about to minimize the printing portion of the microprogram. For information exchange with the ACT, the PICK circuit resembles a high-order data

storage device and the information to be printed is transmitted serially along the DATA line.

Two of the printer-related instructions that actuate the PICK are translated as "Is the printhead in the home position?" and "Has the carriage-return character been encountered in this print line?" If either answer is true the PICK will pull up one of the external flag lines on the ACT. When it is determined that the printhead is in the proper position for printing, one of five possible print instructions, which we call PRINT 0, PRINT 1, PRINT 2, PRINT 3, or PRINT 6, is issued. A six-bit address is required to select one of 64 characters, but since the ACT processes data in either BCD or hexadecimal four-bit digits, it was thought advantageous for the printer to respond to four-bit address inputs. This is particularly useful when printing only numerals that have been built up into four-bit digits for display purposes. The PRINT 0 instruction causes the PICK to add 00 to each four-bit digit on the data line to complete the full six-bit address and print the appropriate character. PRINT 1 adds 01, PRINT 2 adds 10, and PRINT 3 adds 11. The PRINT 6 instruction takes the DATA line output and processes it six bits at a time to print any of the 64 characters.

The data word is only 14 digits (56 bits) long, but the printer can print up to 20 characters in a line. Additional print instructions may be issued after the head has printed the last character and has encountered the first carriage return, but before the printer control electronics has had time to reverse the lead screw driving the head and begin it on its trip home. For example, a typical line of print that contains both a four-character mnemonic on the right edge and a 15-character numeral field on the left can be printed using the flow of logic as shown in Fig. 4.

Thermal Printer

The HP-91 printer is a moving head, thermal printer that prints alphanumeric characters using a 5×7 dot matrix. It prints from right to left (right justified) and advances paper on the return stroke. Lines may contain from 8 to 20 characters; the short line capability gives more throughput for most applications.

The HP-91 printer prints 20-character lines at less than one line per second and eight-character lines at 1.5 lines per second. As the printhead moves from right to left it prints only the number of characters required before returning to the home position. An advantage of the relatively slow line speed is a reduction in the instantaneous power required; this is important in a battery-powered calculator.

Thermal printing was chosen because the mechanism is simpler and lighter than an impact printer. In fact, an impact printer capable of printing alphanumeric characters, and small enough and light enough to fit inside the HP-91, did not exist. Electro-

static and electrosensitive printing do provide simplicity and light weight, but we felt that thermal paper looked better than metallized paper.

The choice of a moving head instead of a fixed head was based on cost. The technologies available within HP for making printheads are thick-film and thin-film. A cost comparison showed that, using either technology, the moving head concept would be less expensive than the fixed head concept. The additional mechanism to move the head had to be kept simple for high reliability and low cost. A simple mechanism design combined with extensive use of injection molded plastic parts helped meet the cost goal.

The choice between thick-film and thin-film technology was based on performance. Above 15 characters per second the thermal mass of the thick-film resistor becomes critical, and the thin-film element becomes attractive. The HP-91 printer operates at 28 characters per second, which means that the head resistors must heat up to several hundred degrees centigrade and cool down below paper threshold temperature in less than 5.1 milliseconds.

Each printed dot is the result of a color reaction in the paper, which is coated with two types of pulverized thermoreaction compounds and a binder. When heat is applied, a chemical reaction takes place that changes the color of the paper at the point of heat.

Thin-Film Thermal Printhead

The printhead consists of a column of seven 10-ohm thin-film resistors on a ceramic base 0.64 cm wide by 2.0 cm long. When energized by electrical pulses the resistors heat to 350°C. As the head travels across the width of the heat-sensitive paper the pulsed resistors leave a trail of dots that form the seven-dot-high-by-five-dot-wide printed characters.

The printhead had to be mass-produced at high volume. This was another reason for choosing thin-film

technology over the thick-film approach.

The printhead substrate is 99.5% aluminum oxide ceramic. There are four layers on the substrate: an outer protective "wear-layer" of aluminum oxide, an aluminum conducting film for interconnections, a tantalum-aluminum resistive film forming the print-dot, and finally, a glaze that acts as a thermal barrier between the resistor and the ceramic body of the printhead. The three thin-film layers—the wear-layer, the aluminum, and the tantalum-aluminum—are all deposited by sputtering. Argon ions formed in a low-pressure glow-discharge are accelerated toward a cathode composed of the material to be deposited, e.g. aluminum. This ion-bombardment causes material to be ejected or sputtered from the cathode and deposited on the substrate. This technique can readily be controlled to deposit films with reproducible composition, resistivity, and thickness. The resistor and conductor films are patterned by photolithographic techniques similar to those used to fabricate integrated circuits.

The glaze underlying the print-dot must be thick enough to permit the resistor to retain heat and develop the paper but thin enough to allow rapid resistor cool-down to avoid elongation or "smearing" of the printed dot. This thickness proved to be about 60 micrometers. Since each of the seven print dots undergoes, on the average, two 300°C temperature cycles per character printed, the wear-layer, resistor film, and glaze must have compatible thermal-expansion coefficients. In addition, the wear-layer must be chemical and abrasion resistant to protect the relatively thin (0.3-micrometer) resistor film. The interconnections, one common and one for each of the seven resistors, were required to add less than 0.75 ohm; this dictated a 4-micrometer-thick aluminum film.

The resistive elements are on a mesa about 10 μm high. Tests have shown that this provides better contact with the paper, creating a better dot image at lower power and lower head force.

Printer Drive Circuits

One of the challenges in developing the HP-91 was to find efficient and inexpensive ways to control the motor speed and print intensity. A motor speed control circuit is necessary to keep the length of the printed line constant even though changes occur in moving friction and in the motor supply voltage (the battery). The speed control technique used is a combination of analog and digital.

The motor drive circuit is a seven-transistor circuit that drives the motor forward, reverses it, or brakes its rotation. The brake capability stops the reverse motion quickly when the printhead carriage reaches home position. This permits narrow margins and

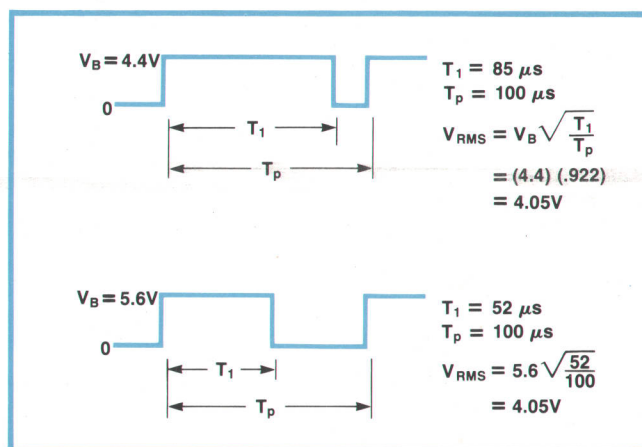


Fig. 5. Print intensity control compensates for changes in battery voltage by varying the duty cycle of a fixed-frequency signal.

maximizes the printed line length.

The motor speed control circuit samples the generated voltage of the drive motor by turning the drive power off briefly and treating the motor as a generator. The measured voltage, which is proportional to the speed of the motor, is compared to a constant reference. If the measured voltage is greater than the reference voltage, the motor is turning too fast and power to the motor is removed until the generated voltage falls below the reference voltage. If the measured voltage is less than the reference voltage, the motor is turning too slowly, so power to the motor is restored immediately after the sample time. The sample rate is fast (several hundred samples per second) and the motor mechanical response time is much longer than the sample period, so the motor smooths out its pulsed input power and turns at a steady speed. The speed may be changed by changing the value of the reference voltage.

To maintain a uniform print contrast, the thin-film head resistors must develop approximately the same temperature each time they are energized. The same temperature must be attainable even with changes in battery voltage. A constant resistor temperature profile requires an applied voltage with a constant rms value. The print intensity control, or power regulator, generates the required voltage by varying the duty cycle of a fixed frequency signal in a nonlinear manner in response to changes in the battery voltage (see Fig. 5).

Generation of the signal is by analog computation. The duty cycle for constant rms value V_{RMS} with battery voltage V_B can be computed as follows.

$$V_{RMS}^2 = \frac{1}{T_p} \int_0^{T_1} V_B^2 dt \quad (1)$$

or

$$V_{RMS}^2 = \frac{T_1}{T_p} V_B^2 \quad (2)$$

So, duty cycle equals

$$\frac{T_1}{T_p} = \left(\frac{V_{RMS}}{V_B} \right)^2 = \frac{K_0}{V_B^2} \quad (3)$$

or since T_p is constant,

$$T_1 = \frac{K}{V_B^2} \text{ or } T_1 = F(V_B^{-2}) \quad (4)$$

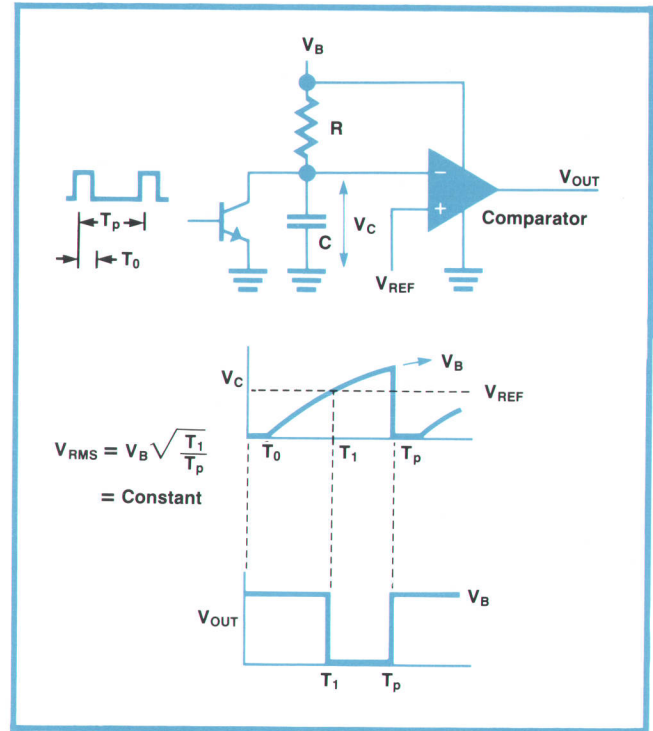


Fig. 6. Simplified diagram of the circuit that monitors the battery voltage and varies the duty cycle of the print signal to stabilize its energy content.

This function is generated by a circuit that monitors V_B and supplies a time T_1 in response to it. A simplified diagram is shown in Fig. 6. By careful selection of T_0 , R , C , and V_{REF} , the function of Equation 4 is evaluated to within one percent.

The frequency of this variable duty cycle signal is about 10 kHz. The signal modulates the applied resistor voltage, as shown in Fig. 7, but because of the high rate of modulation, the head resistor temperature profile does not follow the instantaneous signal but responds to the rms value or heating value of the signal.

Since the power control is basically a pulse modulation scheme, it is very efficient and well suited to

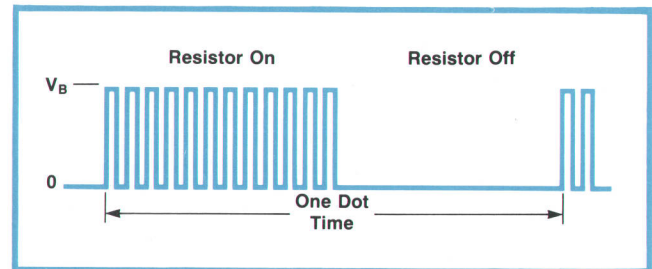


Fig. 7. The variable duty-cycle signal has a frequency of about 10 kHz. This signal modulates the voltage applied to the resistors on the thermal printhead. The resistor temperature responds to the rms or heating value of the composite signal.

battery operation. The actual head drivers are seven NPN high-gain transistors. These receive timing and modulation information from the PICK (printer interface chip). Fig. 8 shows a block diagram of the motor and head control. The PICK chip supplies the timing to control the printer functions.

Printer Mechanism

The printer mechanism consists of three major sub-assemblies: the paper feed assembly, the printhead/platen assembly, and the printhead drive assembly.

The paper feed assembly uses a cam/clutch arrangement with polyurethane drive rollers for feeding paper. The paper is pinched against the drive roller by two spring-loaded pinch rollers that require no adjustments.

Printing is done "on the fly." To simplify the mechanism, the printhead is always in contact with the paper. The printhead is mounted in a carrier that is threaded onto a lead screw and guided by two stainless steel rods set in a plastic mainframe. The lead screw is driven by an ironless d.c. motor through a gear reduction. Gears are molded out of polycarbonate, with glass and teflon to hold tolerances to AGMA-8 quality and for noise reduction. The ironless dc motor is used for its size, high efficiency, and low inertia.

The printhead moves back and forth against a platen. The platen, mounted in a platen holder assembly, is fully floating and is spring loaded against the printhead to assure proper contact.

The extensive use of plastics made this mechanism

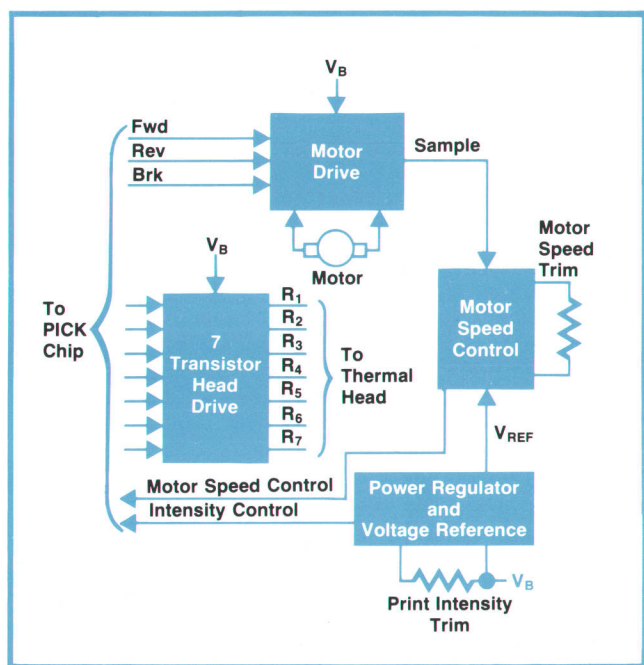


Fig. 8. Motor and head control circuits. Timing information comes from the PICK chip.

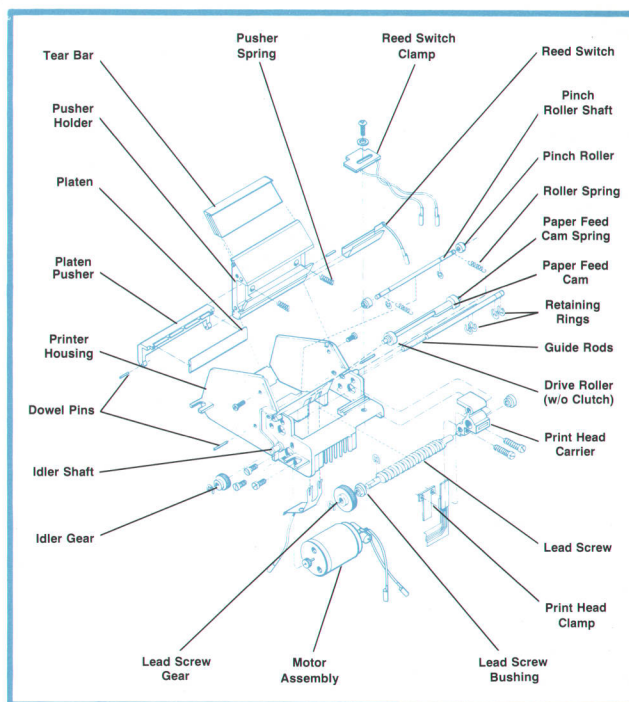


Fig. 9. Printer mechanism.

a real challenge for both the mechanical designers and the injection-molding tool designers. To save assembly time, the entire printer frame is molded in one piece with some tolerances held to $\pm 25 \mu\text{m}$. The head carrier must withstand high temperature and wear, and must be held to tight parallelism tolerances with a threaded hole for the drive screw. The rubber drive rollers are made with a double-shot process of injection-molded urethane over an ABS hub. The platen is made of an injection-molded, high-temperature, ceramic-like plastic called PPS. Much development time was spent on the platen to assure high quality. If the printer should run out of paper, the printhead will print directly on the platen. Since some parts of the printhead can reach 350°C and more, this presents a severe challenge for plastic. By solving the problem with injection-molded plastic, a low-cost but high-quality platen was achieved. The platen is designed to withstand direct continuous printing without paper for over 72 hours.


The printhead resistors are driven with the battery voltage of approximately five volts. To reach printing temperature in three milliseconds requires about 1.1 watts, which means that over 500 milliamperes must flow into each printing resistor. If four or five dots are printed at the same time, the current level can approach 2.5 amperes in the common lead of the head and the flexible cable. This created some difficult problems in the circuit design and in finding a flexible cable to pass that much current. The flexible cable conductors must be wide and thick to avoid

high resistive losses, but the thicker the copper, the more difficult it is to make it flex for millions of cycles without stress fatiguing in the tight bend radius required by the small package. The cable materials and adhesives all affect the fatigue life of the copper. After many iterations and extensive testing, a Kapton-copper-Kapton sandwich laminated with special adhesive was selected.

Because the cable connectors are copper and the printhead interconnects are thin-film aluminum, conventional solder bonding was not possible. Ultra-sonic-wire or stitch bonding provided the answer.

Acknowledgments

While there are numerous people who contributed to the development of this project we would be remiss in not giving special recognition to: Chuck Dodge for his superb industrial design and Craig Sanford who developed the mechanical package; Paul Stoft of HPL who encouraged the initial printer effort and those in the Loveland, San Diego, Avondale, and Colorado Springs Labs who provided helpful early advice; Frank Ura, Per Gloersen, Glenn Weberg and Bill Ebert of HPL and Bill Sperry of San Diego Division who developed the thin film print head process, and Robert Waits, Fred Scheu, and Ken Scholz who

set up the process at APD; Ken Salisbury, Manny Kohli, and Dick Barth who designed the printer mechanism; Al Kovalick who designed the printer drive electronics using in part a motor speed control invented by Bill Egbert; Jim Steinmetz for the flex cable and head bonding technique; Larry Jackson and Tom Braun for printer and print head testing; John Uebbing, Perry Jeung, and John Fischer of OED who developed our attractive display and to She-Chung Sun for the cathode driver and display driver circuitry; Dick Osgood and Bill Mitchell who designed the keyboard; Ken Hodor who designed the PICK circuit and later helped put the product into production; Dennis Harms and Paul Williams who wrote the software; Carl Landsness who designed the power supply and recharger; Dick Leininger, Hal Andrews, and especially Bob Meadows who served as product manufacturing engineers on the project; Roger Evans and Jim Fleming at APD and Bernard Tsai in Singapore who provided the production engineering support; Bill Bull and his crew on the production line; Don Grant and the QA group; the manufacturing division tool designers and builders whose state-of-the-art injection molding methods help make the product possible; Bob Dudley and Chung Tung for their managerial support. 

The New Accuracy: Making $2^3 = 8^*$

by Dennis W. Harms

One of the engineering efforts that made the HP-35 possible was the development of the algorithms for the mathematical functions. This work was done by David S. Cochran.¹ These algorithms have served the HP hand-held calculator family well, but have now been replaced by more accurate ones on the HP-91. As one of the more obvious examples of the improvement, $2^3 = 8.000000003$ on the HP-35 but $2^3 = 8.000000000$ on the HP-91. Other examples of the improvement are shown in the table below:

OPERATION	HP-35	HP-91
10^{52}	$9.99999\ 9964 \times 10^{51}$	$1.00000\ 0000 \times 10^{52}$
25^5	97656 25 055	97656 25 000
9^5	59049.00020	59049.00000
15^5	759375.0034	759375.0000
$(-2)^3$	error	-8.00000 0000
$\ln(1.00001)$	$9.999900000 \times 10^{-6}$	$9.99995\ 0000 \times 10^{-6}$
$\ln(.99995)$	$-5.00012\ 0000 \times 10^{-5}$	$-5.00012\ 5004 \times 10^{-5}$
$\tan 89.999999^\circ$	58363500.16	57295779.51
$\tan 90.000001^\circ$	-58823529.41	-57295779.51
$\sin 000.0000001^\circ$	1.7×10^{-9}	$1.745329252 \times 10^{-9}$
$\sin 359.9999999^\circ$	-2.184413879	-1.745329252 $\times 10^{-9}$
$\tan 720^\circ$	$4.00000\ 0000 \times 10^{-9}$	0.00000 0000
$\tan(7.20 \times 10^{90})^\circ$	2.02975 2090	0.00000 0000

The overriding consideration in the HP-35 was saving ROM (read-only memory). Only three ROMs of microcode were used to implement all the functions of the calculator. Better accuracy, comparable to that of the HP-91, would have consumed two additional ROMs and would have increased both the size and cost of the HP-35. Since the slide rule was the standard of the day, the

¹This discussion is essentially the same as a paper presented by the author at Electro 76 in Boston, Massachusetts, U.S.A., May 11-14, 1976.

improvement in accuracy bought by these additional ROMs did not seem worth the expense.

Two things have happened to make the additional ROM worth the cost. First, ROM has become cheaper and smaller by a factor of four. Second, calculators are now being applied more widely than originally anticipated, and users now have a higher level of sophistication and expect the same from their calculators. Programmable calculators, especially, require greater accuracy. The user of a nonprogrammable calculator monitors his calculation step by step, so unreasonable intermediate results caused by algorithm inadequacies are recognized when they appear. However, when a calculator is programmable, the user is often aware of only the input and the final answer.

Avoidable and Unavoidable Errors

Displayed errors can be divided into two types, avoidable and unavoidable. The first is caused by inadequacies in the algorithms. Examples of this type of error are shown in the table above and are typified by $2^3 = 8.000000003$. This type of error has been almost completely eliminated from the HP-91.

The second type of error is the unavoidable error caused by using finite computers to approximate nonfinite processes. For instance, the decimal representation of $1/7$ is the repeating nonfinite decimal:

$$1/7 = 0.142857\ 142857\ 142857\ \dots$$

which cannot be represented exactly with ten figures. The closest approximations are:

$$0.142857\ 1429\ (\text{closest})\ \text{and} \\ 0.142857\ 1428\ (\text{next closest}).$$

When we write

$$1/7 = 0.142857\ 1429$$

we are lying only by a little bit. Unfortunately,

$$1/(0.142857\ 1429) = 6.99999\ 99979\ 00000\ 00062\ 99\dots$$

which rounds to 6.99999 9998 instead of 7. Therefore, the calculator cannot satisfy the identity

$$1/(1/7) = 7.$$

This is not a mistake. It is an unavoidable consequence of rounding.

There is no ten-figure approximation to 1/7 whose reciprocal rounds to 7. To see this, let us look at the next closest approximation to 1/7.

$$1/(0.142857\ 1428) = 7.00000\ 00028\ 00000\ 00112\ \dots$$

which rounds to 7.00000 0003 instead of 7. This is farther from 7 than the reciprocal of the other approximation to 1/7.

Perhaps the best way to avoid the confusing statement

$$"1/(1/7) = 6.99999\ 9998"$$

is to write

$$[1/(1/7)_{10}]_{10} = 6.99999\ 9998$$

where the subscript 10 indicates a rounding to 10 places.

How Improvements Were Achieved

Accuracy in the HP-91 has been improved principally by re-writing the algorithms' subroutine structure. An example of this is with the y^x routine. All HP calculators calculate y^x by the formula

$$y^x = e^{x \ln y}$$

This is evaluated by subroutine calls to ln, multiply, and exponential. On the HP-35 these subroutines were identical to the keyboard functions of the same name. The function y^x did the same thing as the key sequence

$$x \Rightarrow y, \ln, x, e^x$$

It is not surprising then that $2^3 = 8.000000003$, for this answer has been subject to three intermediate roundings. The improvement was made by rewriting the basic subroutines to allow for carrying intermediate results to extra digits. Enough extra digits are carried and carefully looked after to assure the desired accuracy. Special subroutines of this type are also used in the trigonometric functions, in rectangular-to-polar conversions, and in polar-to-rectangular conversions.

The second method of improving accuracy is to trap critical arguments and calculate the functions at these arguments in a special way. These critical arguments include numbers near 1 when calculating ln or log, numbers near 0 when calculating \sin^{-1} , \cos^{-1} , or \tan^{-1} , and numbers near zero or multiples of $\pi/2$ when calculating sin, cos, or tan.

Another improvement was made by prescaling the trigonometric functions in the user's units. The HP-35 converted degrees to radians and then subtracted multiples of 2π to convert the input argument to the unit circle. This made $\tan 720^\circ = 4 \times 10^{-9}$. On the HP-91, if the calculator is in degrees or grads, multiples of 360 or 400 respectively are subtracted until the result is within the unit circle. This makes $\tan 720^\circ = 0$ and improves symmetry properties of the trigonometric functions.

Possible Improvements

There is a point where the new algorithms appear at first glance to be less accurate. If we calculate $\tan \pi$ in radians, the answer is 4.10×10^{-10} on the HP-91 whereas the HP-55 yields 0. This is misleading, for π on the keyboard should really be labeled π_{10} , showing that it is ten digits of π . Thus

$$\pi_{10} = 3.14159\ 2654.$$

To ten digits, $\tan \pi_{10} = 4.12067\ 6150 \times 10^{-10}$. One can see that the HP-91 gives the better answer to this problem.

The reason that the HP-91 does not give the correct answer

is that prescaling is done with a finite-length π . To give the correct answer to this problem, a π of length 20 would have to be used. It can be shown that to produce the correct answer to all trigonometric problems in radian measure, it takes a π of length 120. The HP-91 actually uses 13 digits of π .

Another place where the accuracy can be improved is in the statistical functions. If the following data is put into the HP-55 using the $\Sigma+$ key, the standard deviation is not calculated exactly.

6666666123
6666666246
6666666369

The standard deviation calculated is 0.000000000 instead of the correct value of 123.0000000. This problem could be solved by storing different sums in the statistics registers. However, the sums that are now stored are useful for vector arithmetic.

The user can usually avoid this problem by leaving off the redundant leading sixes. If the data is keyed in as follows, the correct standard deviation is calculated.

123
246
369

Acknowledgments

I would like to express my appreciation to Dave Cochran and Professor William Kahn, who made themselves available for consultation, and Bill Egbert for his work in documenting and flow charting the original algorithms.

References

1. D.S. Cochran, "Algorithms and Accuracy in the HP-35," Hewlett-Packard Journal, June 1972.
2. R.B. Neff and L. Tillman, "Three New Pocket Calculators: Smaller, Less Costly, More Powerful", Hewlett-Packard Journal, November 1975.
3. P.H. Sterbenk, "Floating Point Computation", Prentice Hall, 1974.

Dennis W. Harms



Dennis Harms was born, grew up, and attended college in Waverly, Iowa, graduating from Wartburg College in 1969 with a BS degree in mathematics. He went on to receive his MS and PhD degrees from Iowa State University in 1970 and 1974, teaching undergraduate calculus and finite mathematics while pursuing his own studies. He joined HP in 1973, wrote many applications programs for the HP-65 and HP-55, did microprogramming for the HP-91, and improved the algorithms used in HP hand-held calculators. He's a member of the American Mathematical Society. Dennis relaxes by playing duplicate bridge, basketball, and tennis. He's married to a librarian and lives in Santa Clara, California.

FEATURES AND SPECIFICATIONS HP-91 Scientific Printing Calculator

PRINTER FEATURES:

PRINT MODE SWITCH	Selects printing modes. You can print nothing, digit entries and functions, or digit entries, functions and results.
PRINT X	Prints the displayed number.
LIST STACK	Prints and labels the contents of the stack registers.
LIST Σ	Prints and labels the contents of the summation registers.
LIST REG	Prints and labels the contents of the addressable registers.
PAPER ADVANCE	Advances the paper. At the same time clears errors and halts list operations.

MATHEMATICAL FUNCTIONS:

ANGULAR MODE SWITCH	Selects degrees, radians or grads mode.
Sin, Cos, Tan	Trigonometric functions and their inverses.
\sin^{-1}, \cos^{-1}, \tan^{-1}	Trigonometric functions and their inverses.
\ln, e^x	Natural log and antilog
\log, 10^x	Common log and antilog
y^x	Exponential function
$\rightarrow R$, $\rightarrow P$	Rectangular/polar coordinate conversion
H.MS+, H.MS-	Time (angle) addition and subtraction in hours, minutes and seconds and hours.
\rightarrowH.MS, H.MS\rightarrow	Time (angle) conversion between hours, minutes and seconds and hours.
$1/x$, \sqrt{x}, π, x^2	Convenient math functions
+, -, \times, \div	Arithmetic functions
%	Percent
$\Delta\%$	Percent difference
$\% \Sigma$	Percent of total

STATISTICAL FUNCTIONS:

Σ	Accumulates x , y , x^2 , y^2 , xy , n
Σ^-	Deletes unwanted data
\bar{x}	Mean—two variables
s	Standard deviation—two variables
L.R.	Linear regression coefficients
\hat{y}	Linear estimate
$n!$	Factorial

DATA MANIPULATION, OPERATIONS AND STORAGE FUNCTIONS FOR 16 REGISTERS:

ENTER	Separates numerical entries
$x \leftrightarrow y$	Exchanges contents of x and y stack registers
$R \downarrow$	Rolls down contents of stack registers
$R \uparrow$	Rolls up contents of stack registers
CHS	Changes the sign of a number
EEX	Enters exponent for numbers entered in scientific notation
LAST x	Recalls last entry after an operation
Gold shift key	Selects functions printed in gold on keyboard
STO	Stores displayed value into addressable register. Also used with arithmetic functions in storage register arithmetic.

RCL Recalls a number to the display from an addressable register

DISPLAY CONTROL AND CLEARING OPTIONS:

FIX	Sets fixed decimal notation display
SCI	Sets scientific notation display
ENG	Sets engineering notation display
CLx	Clears display
CLEAR	Clears stack, addressable registers, and Last x register
CL REG	Clears addressable registers R_0 - R_9
CLΣ	Clears summation registers R_0 - R_5

PHYSICAL SPECIFICATIONS:

CALCULATOR WIDTH:	228.6 mm (9 in)
CALCULATOR DEPTH:	203.2 mm (8 in)
CALCULATOR HEIGHT:	63.5 mm (2.5 in)
CALCULATOR WEIGHT:	1.13 kg (2.5 lb)
RECHARGER WEIGHT:	268 g (9.5 oz)
SHIPPING WEIGHT:	3.16 kg (7 lb)
OPERATING TEMPERATURE RANGE:	0°C to 50°C (32°F to 122°F)
CHARGING TEMPERATURE RANGE:	10°C to 40°C (50°F to 104°F)
STORAGE TEMPERATURE RANGE:	-40°C to 55°C (-40°F to 131°F)
PAPER TEMPERATURE RANGE (operating and storage):	10°C to 45°C (50°F to 113°F)

POWER REQUIREMENTS:

AC:	115 or 230 V, $\pm 10\%$, 50 to 60 Hz
BATTERY:	5.0 Vdc nickel cadmium rechargeable battery pack

PRICE IN U.S.A.: HP-91, \$425.

MANUFACTURING DIVISION: CORVALLIS DIVISION
1000 N.E. Circle Boulevard
Corvallis, Oregon 97330 U.S.A.

FEATURES AND SPECIFICATIONS HP-67 and HP-97 Calculators

Keyboard Features Summary

ANGULAR FUNCTIONS:	Sin, Cos, Tan, \sin^{-1} , \cos^{-1} , \tan^{-1} ; Hours-Minutes-Seconds Addition; Hours-Minutes-Seconds Conversion to Decimal Hours; Degree/Radian Conversion; Polar/Rectangular Conversion; Degrees, Radians, Grads Angular Modes.
LOGARITHMIC FUNCTIONS:	\log , 10^x , \ln , e^x
STATISTICS:	Summations Σ , Σx , Σx^2 , Σy , Σy^2 , Σxy ; Deletion of Unwanted Data; Mean; Standard Deviation.
CONVENIENT MATH FUNCTIONS:	$+$, $-$, \times , \div , y^x , x^2 , $1/x$, \sqrt{x} , $N!$, $\%$, $\%CH$, π , Absolute Value; Rounding.
NUMBER ALTERATION FUNCTIONS:	Integer Truncation; Fraction Truncation; Absolute Value; Rounding.
DISPLAY:	Fixed decimal, scientific, engineering notation. Displays up to 10 significant digits plus 2-digit exponent and appropriate signs.

HP-97 Printing Features

PRINT MODE SWITCH:	Selects printing modes. You can print only when you want to, digit entries and functions automatically, or digit entries, functions, intermediate, and final answers automatically.
PRINT X:	Prints the displayed number.
PRINT STACK:	Prints and labels the contents of the stack registers.
PRINT REG:	Prints and labels the contents of the primary data storage registers.

PRINT PRGM: Prints contents of program memory.
SPACE: Advances paper one space without printing.

HP-67 and HP-97 Common Programming Features Summary

CAPACITY: 224 steps of program memory (all functions are merged and occupy only one step of program memory); 26 data registers; four register automatic-memory-stack; Last x register.

CARD READER FEATURES: Record/Load all data registers; Load selected data registers; Record/Load entire program memory; Merge program subsections; Angular mode, flag settings, and display status are recorded with program recording and reset with program loading; User is prompted for proper operation when loading; Card reader operations can be initiated manually or under program control (except program recording).

ADDRESSING: Label addressing; Indirect addressing of labels and data storage; Relative addressing; 10 user-definable keys or 20 user-definable labels; Three levels of subroutines (GSB).

CONDITIONALS: $x=y$, $x \neq y$, $x > y$, $x \leq y$, $x \neq 0$, $x=0$, $x < 0$, $x > 0$; Four flags; Increment/decrement storage registers and skip on zero.

EDITING: Single step execution; Single step and back step inspection of a program; Insert/Delete editing. Position the calculator at any step in program memory (GTO - mn).

OTHER PROGRAMMING FEATURES: PAUSE to review intermediate results, key in data, or load magnetic cards.

HP-97 SPECIFICATIONS:

WIDTH:	228.6 mm (9 in)
DEPTH:	203.2 mm (8 in)
HEIGHT:	63.5 mm (2.5 in)
WEIGHT:	1.13 kg (2.5 lb)
RECHARGER WEIGHT:	268 g (9.5 oz)
SHIPPING WEIGHT:	3.16 kg (7 lb)
OPERATING TEMPERATURE RANGE:	15°C to 40°C (59°F to 104°F)
CHARGING TEMPERATURE RANGE:	10°C to 40°C (50°F to 104°F)
STORAGE TEMPERATURE RANGE:	-40°C to 55°C (-40°F to 131°F)
PAPER TEMPERATURE RANGE:	10°C to 45°C (50°F to 113°F)
AC POWER REQUIREMENT:	90-127V or 200-254V, 50 to 60 Hz
BATTERY PACK REQUIREMENT:	5.0 Vdc nickel cadmium rechargeable battery pack

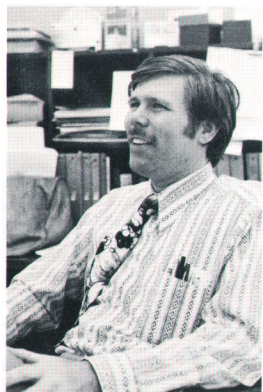
HP-67 SPECIFICATIONS:

LENGTH:	152.4 mm (6 in)
WIDTH:	81 mm (3.2 in)
HEIGHT:	18 to 34 mm (0.7 to 1.4 in)
WEIGHT:	342 g (11 oz)
RECHARGER WEIGHT:	142 g (5 oz)
SHIPPING WEIGHT:	1.4 kg (3 lb)
OPERATING TEMPERATURE RANGE:	10°C to 40°C (50°F to 104°F)
CHARGING TEMPERATURE RANGE:	10°C to 40°C (50°F to 104°F)
STORAGE TEMPERATURE RANGE:	-40°C to 55°C (-40°F to 131°F)
AC POWER REQUIREMENT:	86-127V or 172-254V, 50 to 60 Hz
BATTERY POWER REQUIREMENT:	3.75 Vdc nickel cadmium rechargeable battery pack

PRICES IN U.S.A.: HP-67, \$450; HP-97, \$750.

MANUFACTURING DIVISION: CORVALLIS DIVISION
1000 N.E. Circle Boulevard
Corvallis, Oregon 97330 U.S.A.

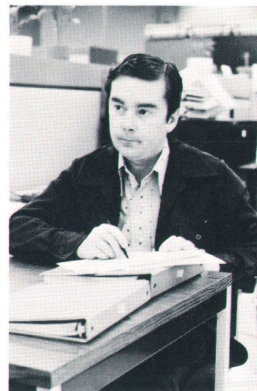
Bernard E. Musch



Bernie Musch received his BSME degree in 1964 from Lehigh University and his MSME and PhD degrees in 1966 and 1970 from Stanford University. After coming to HP in 1970, he did the mechanical design of the HP-35 and HP-65 Calculators and served as project leader for the HP-55 and HP-91 Calculators. He has several patents, issued and pending, in the calculator field. Having just moved to Corvallis, Oregon last July, Bernie hasn't had time to settle down yet, but before the

move he served his community by coaching Little League and soccer teams and by recording books for the blind. Camping, photography, and music are other major interests. A native of Baltimore, Maryland, Bernie's married and has two sons.

Robert B. Taggart



Bob Taggart received his BSME and MSME degrees from Northwestern University in 1967 and 1968, and the degree of Mechanical Engineer from Stanford University in 1970. With HP since 1970, he worked on biomedical and analytical instrument projects for three years, then served as project leader for the HP-65 card reader and project manager for printing calculators. Ten professional papers and five patents have resulted from his work. Born in Pompton Lakes, New Jersey,

Bob is married, has a small son, and now lives in Sunnyvale, California. Tennis and skiing are his favorite leisure activities.

High-Power Solid-State 5.9-12.4-GHz Sweepers

Two new RF plug-ins for the 8620C Sweep Oscillator produce more than 50 mW of output power, thanks to a new gallium arsenide field-effect transistor.

by Louis J. Kuhlman, Jr.

IN MICROWAVE MEASUREMENTS, high-power sweep oscillators are often needed to increase dynamic range, improve accuracy, saturate amplifiers, or overcome system losses.

- Measurement dynamic range is limited by either detector saturation or sweeper output power. In measurements involving high insertion loss, dynamic range can benefit directly from increased output power.
- Measurement accuracy can be improved by using attenuators to reduce mismatch errors and resistive power separation devices to reduce frequency response errors. No loss in dynamic range results if the sweeper can compensate for the resistive loss with additional power.
- When measuring the distortion and power handling capability of an amplifier, sufficient power is required to compress gain to the desired level. Also, mixer conversion loss measurements are a function of local oscillator drive, so extra sweeper output power allows a wider range of devices to be measured.



Fig. 1. Compact Model 8620C Sweep Oscillator produces over 50 mW of output power with either the 86242C RF Plug-In for the 5.9-to-9.0-GHz range or the 86250C RF Plug-In for the 5.9-to-12.4-GHz range.

High-power swept measurements have normally been made using bulky and expensive backward-wave-oscillator (BWO) sweepers or traveling-wave-tube (TWT) amplifiers. The BWO or TWT tubes in these units require periodic replacement. Also, the user has to buy another system in addition to his modern solid-state sweeper.

Two new high-power plug-ins for the 8620C sweep oscillator solve this problem by using a recently designed 100-mW GaAs FET amplifier covering the entire 5.9-12.4-GHz range. The 86242C RF Plug-In has a frequency range of 5.9-9.0 GHz and the 86250C has a frequency range of 8.0-12.4 GHz. The compact 8620C/86242C and 8620C/86250C (Fig. 1) are the highest-power microwave solid-state sweepers currently available.

Designed to meet the requirements of all major sweeper applications, the new sweepers provide more than 17 dBm of power, leveled within ± 0.5 dB

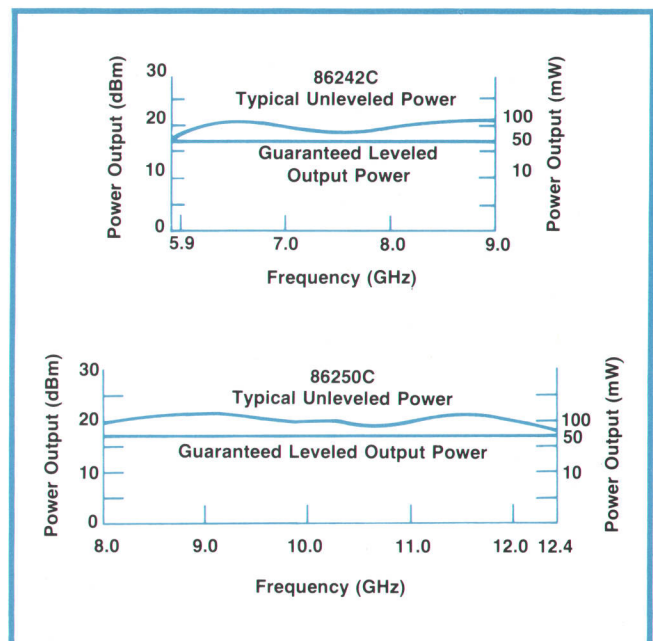


Fig. 2. Typical output power of 86242C and 86250C RF Plug-Ins. Internal leveling option levels power within ± 0.5 dB.

with the internal leveling option (see Fig. 2). When used with the HP 8755 Frequency Response Test Set, no external modulator is required; therefore, full output power is available for measurements.

Plug-In Design

As Fig. 3 shows, the basic elements of the new plug-ins are the YIG-tuned oscillator (YTO) and the GaAs FET amplifier/modulator. The YTO is tuned by a current-induced magnetic field. The YTO driving circuit has been described in detail elsewhere.¹

Power leveling in the plug-ins is achieved by sensing the output power with a broadband directional coupler and detector, comparing this signal to a level control voltage, and applying the error signal to a PIN-diode modulator. This modulator is built

into the GaAs FET amplifier.

As Fig. 4 shows RF power leveling is accomplished by controlling the operation point of the PIN modulator as a function of V_{sense} and V_{set} . V_{sense} is a voltage derived by detecting and amplifying a small portion (-20 dB) of the output signal. V_{set} is a reference voltage; its magnitude is determined by the front-panel power level control.

In the loop, V_{sense} and V_{set} are summed, and their sum is compared to zero volts at the preamplifier. Any deviation from zero is amplified and used to shift the modulator operating point, changing V_{sense} so that its sum with V_{set} is returned to zero.

In externally leveled applications the ALC loop gain must be adjusted to compensate for variations in RF coupling ratio and detector speed of response.

A 5.9-12.4-GHz GaAs FET Power Amplifier

The GaAs FET power amplifier in the 86242C and 86250C RF Plug-Ins provides 10-dB gain at 100-mW output power and 0-60 dB of attenuation with an input PIN modulator. A single amplifier design covers the full 5.9-12.4 GHz range, using five 1- μ m-gate GaAs FETs produced by HP. Up to now, most GaAs FET design efforts have concentrated on either low-noise broadband performance¹ or narrow-band high-power (>1 watt) output.² This amplifier appears to be the first application of GaAs FETs in broadband medium-power amplification. The high carrier mobility and power efficiency of the GaAs FET make reliable solid-state replacements for backward-wave-oscillator (BWO) sweepers possible.

Typical input-to-output isolation of a GaAs FET at 10 GHz is 25 dB or greater. This property allows very successful application of unilateral design approaches;³ that is, input and output matching structures are designed with knowledge that they do not interact significantly.

A simplified input and output equivalent circuit for the GaAs FET is shown in Fig. 1. Matching circuits transform the input and output impedances to obtain broadband matching for gain and power. The input and first interstage matching circuit are designed for maximum small-signal gain. The second and third stages, which employ two GaAs FETs in parallel, are designed for maximum large-signal power gain.

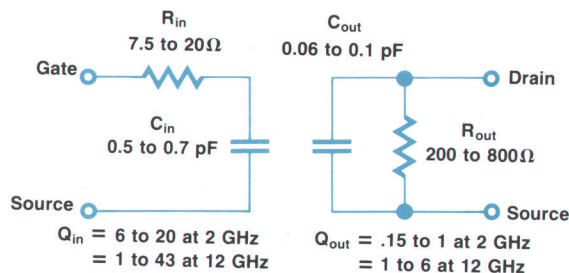


Fig. 1. GaAs FET input and output simplified equivalent circuits.

Impedances presented to the drain for maximum large-signal gain were measured with external tuners and large-signal RF conditions. Results of these large signal measurements and other design considerations have been described elsewhere.⁴

Assembly

Assembly procedures have been established to protect the GaAs FET from mechanical and electrical damage during handling. The GaAs chips are first pulse-soldered to a gold-plated copper pedestal for good heat sinking, input-to-output isolation, and ease of handling during later assembly steps. Sapphire matching circuits are soldered onto a single carrier, leaving space for the FET/pedestal assemblies. Epoxy attachment of the FET/pedestal assembly to the microcircuit makes it easier to replace faulty active devices. Temporary grounding bonds are attached to the FET contacts to eliminate the possibility of electrical damage by static discharge and transients during subsequent processes. An assembled 100-mW 5.9-12.4-GHz GaAs FET amplifier is shown in Fig. 2.

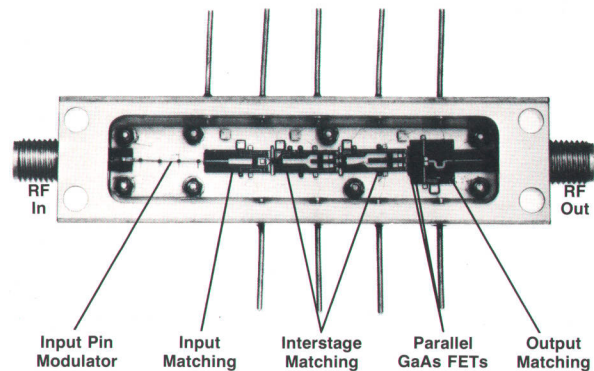


Fig. 2. 100-mW 5.9-to-12.4-GHz GaAs FET amplifier.

References

1. C.A. Liechti and R.L. Tillman, "Design and Performance of Microwave Amplifiers with GaAs Schottky-Gate Field Effect Transistors," IEEE Transactions on Microwave Theory and Techniques, Vol. MTT-22, No. 5, pp. 510-517, May 1974.
2. R. Camisu, I. Drukier, H. Huang and S.Y. Narayan, "High-Efficiency GaAs MESFET Amplifiers," Electronics Letters, Vol. II, No. 21, pp. 508-509, October 16, 1975.
3. "S-Parameter Design," Hewlett-Packard Application Note 154.
4. D. Hornbuckle and L. Kuhlman, "Broadband Medium-Power Amplification in the 2-12.4 GHz Range with GaAs MESFET's," IEEE Transactions on Microwave Theory and Techniques, Vol. MTT-24, No. 6, June 1976.

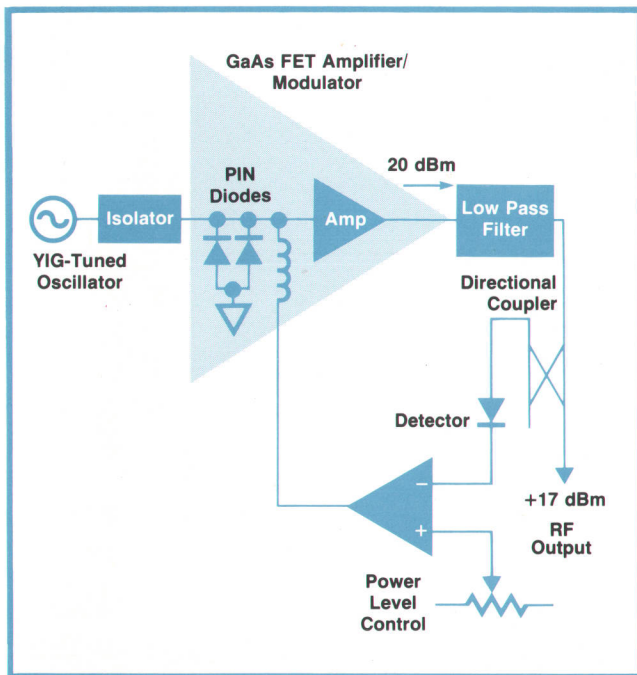


Fig. 3. Major elements of the new RF plug-ins are the YIG-tuned oscillator and the GaAs-FET amplifier modulator.

With many commercial sweepers the power level changes when the ALC gain is adjusted, making gain and power adjustment an iterative procedure. This problem has been solved in the 86242C and 86250C by summing V_{sense} and V_{set} before the gain control. Both voltages are attenuated equally, so they maintain a constant ratio and produce a constant output power.

Direct 8755 Modulation

A primary design goal was to allow direct modulation

of the instrument when used with the 8755 Frequency Response Test Set. This eliminates the need for the external modulator normally used in this application, and as a consequence, makes the full +17 dBm available to the device under test.

Satisfying this requirement meant that the RF power would be modulated by the 27.8-kHz square wave modulation signal produced by the 8755A. The RF power would have to have a minimum on/off ratio of 40 dB and maintain 40/60 symmetry over the 20-dB range of the power level control.

The design solution makes the loop become a sample-and-hold circuit during the time the RF power is blanked. When the RF power is enabled, the output of the ALC main-amplifier/sample-and-hold will be the same as before the RF power was blanked. The PIN modulator current is the same, the RF power is the same, and the sum of V_{set} and V_{sense} is zero. Thus the loop can stabilize without having to slew fast enough to respond directly to the 27.8-kHz modulation.

FM Driver

The FM driver block diagram is shown in Fig. 5. The FM input signal is split into high and low-frequency paths. The low-frequency signals are sent to the YTO driver to allow frequency deviations of up to ± 150 MHz.

The YTO FM coil is driven by a differential cascode amplifier. This achieves ± 5 -MHz frequency deviation at a 5-MHz modulation rate, as well as a ± 1.5 -dB small-signal frequency response from dc to 10 MHz.

Acknowledgments

The authors wish to thank the other contributors to this team effort. Our thanks go to Doug Fullmer for

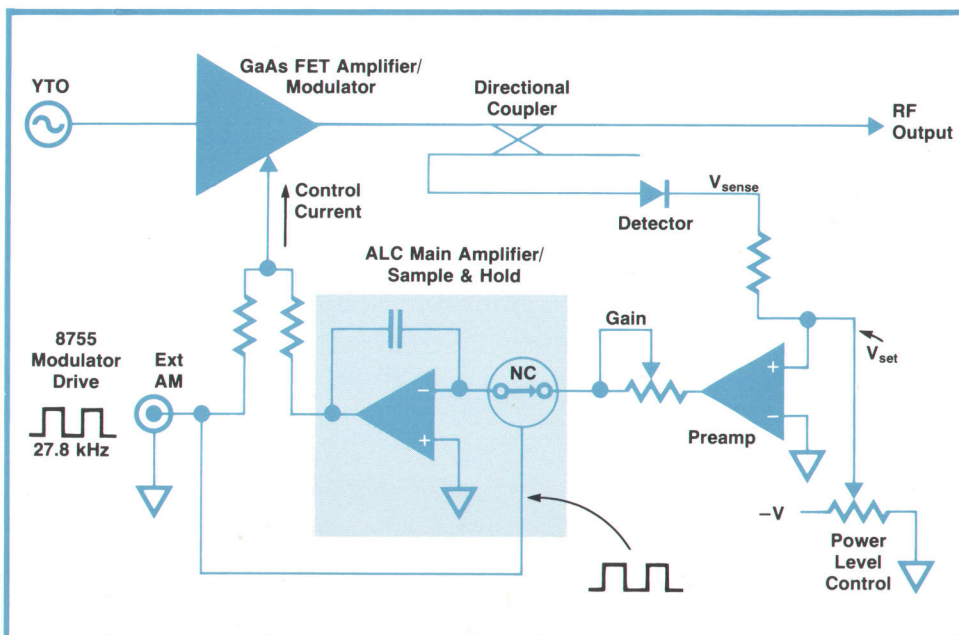


Fig. 4. Automatic level control diagram for the 86242C and 86250C RF Plug-Ins. Design allows direct modulation by the 8755 Frequency Response Test Set, eliminating external modulators and making full output power available.

The GaAs FET in Microwave Instrumentation

by Patrick H. Wang

Ever since the GaAs Schottky-barrier-gate FET (GaAs MESFET) was proposed by C.A. Mead¹ in 1966, it has been generally considered the device of the future for microwave applications. Initial development of the GaAs FET was slow, but significant breakthroughs in fabrication technology and material handling in 1970 and 1971 allowed realization of the device's promise. One-micrometre-gate-length MESFETs with an f_{max} of 50 GHz and useful gain up to 18 GHz became available from various research laboratories.

Today we are seeing what might be called a "GaAs FET revolution" in the microwave semiconductor industry. GaAs FETs with a 3.5-dB noise figure at 10 GHz for low-noise amplifier applications and power GaAs FETs with one-watt output power beyond 8 GHz are readily available commercially. Besides serving as microwave amplifiers, GaAs FETs are beginning to be used in many novel applications such as microwave oscillators, mixers, modulators, and digital switching.

As a three-terminal microwave device, the GaAs MESFET has two fundamental advantages over silicon bipolar transistors. First, the GaAs FET is a unipolar device; its operation depends upon majority carriers only. Electron mobility in GaAs is six times higher than in silicon and peak drift velocity is two times higher. This gives the GaAs FET a larger transconductance and a shorter electron transit time, and hence a high gain at higher frequencies. Second, GaAs FETs are fabricated on a semi-insulating substrate; this greatly reduces parasitic capacitances, again improving high-frequency performance. The silicon bipolar transistor is still very popular in applications

up to 8 GHz, but the GaAs FET has extended the microwave solid-state frequency range to beyond 18 GHz, while providing an alternative to the bipolar transistor from 2 to 8 GHz.

Device Design

The HP 86242C and HP 86250C sweepers mark the first use of the GaAs FET in microwave instrumentation. Each of the new plug-ins uses five Hewlett-Packard TC-300 GaAs FETs.

Fig. 1 is a photograph of the HP TC-300 GaAs FET used in the 5.9-12.4-GHz amplifier. The gate is a $1 \times 500\text{-}\mu\text{m}$ aluminum strip. The gate pad is located on the semi-insulating substrate with negligible capacitance. The layout is optimized for common-source operation, with both the drain and source pads maximized to allow convenient use of mesh and ribbon bonding.

Fig. 2 shows the vertical structure of the FET. A thin ($0.3\text{-}\mu\text{m}$), highly doped (10^{17} cm^{-3}) n-type epitaxial layer was grown, using liquid-phase epitaxial techniques, on a semi-insulating substrate. The drain and source ohmic contacts were formed by allowing Ge-Au into the heavily doped GaAs layer. The $1\text{-}\mu\text{m}$ Schottky-barrier gate was formed in deposited aluminum of $0.7\text{-}\mu\text{m}$ thickness. A dielectric passivation layer was applied over the active area for protection.

Fig. 3 is an equivalent circuit of the HP TC-300 FET. At 10 GHz, the TC-300 has typical maximum available gain of 10 dB and output power of 17 dBm at the 1-dB gain-compression point.

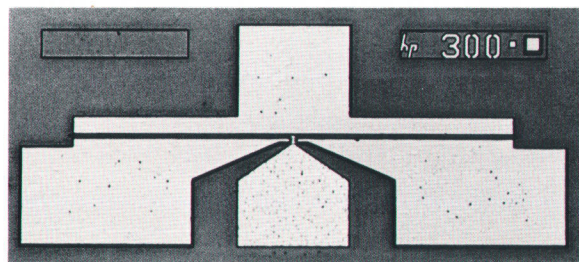
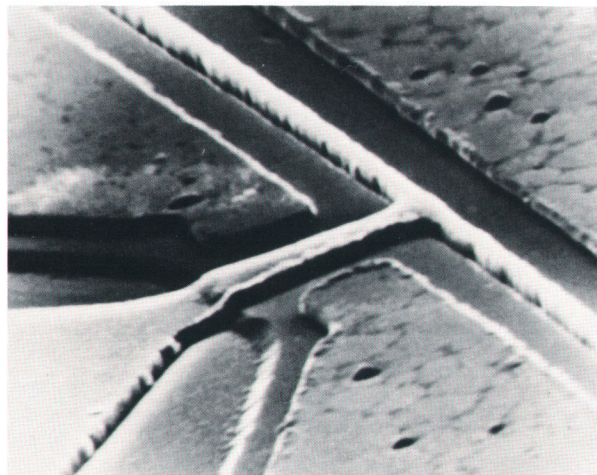


Fig. 1. HP TC-300 gallium arsenide field-effect transistor chip. Scanning electron microscope photo shows $1\text{-}\mu\text{m}$ -wide gate stripe.

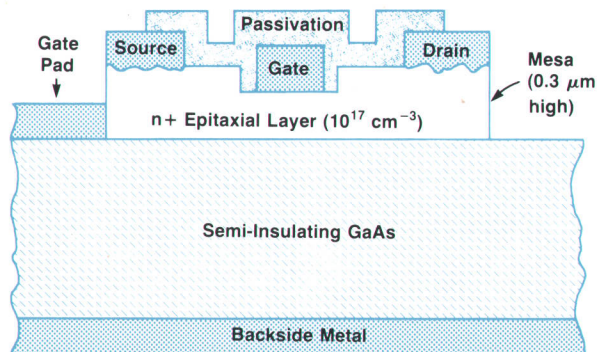


Fig. 2. Cross section of FET geometry.

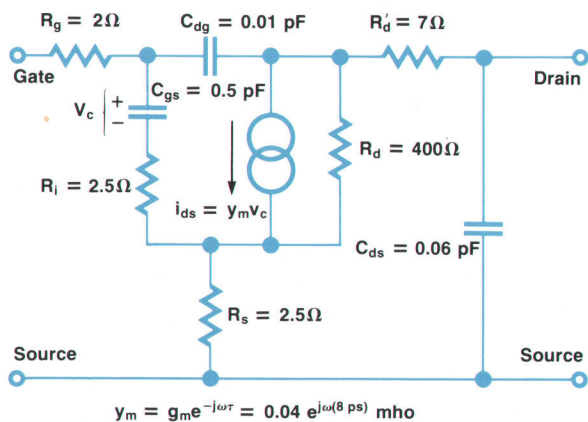


Fig. 3. GaAs MESFET equivalent circuit.

Device Reliability

The III-V compound materials are still relatively new in the

semiconductor industry. Therefore, many people are suspicious of GaAs FET reliability. From our extensive reliability test results and from reports from other leaders in this field^{2,3}, the device itself is very reliable and an MTBF (mean time between failures) of 10^6 to 10^8 hours is expected. Even though the gate is made of aluminum with fine geometry ($1 \mu\text{m} \times 0.7 \mu\text{m}$), metal migration should not be a problem because the gate is not supposed to carry any appreciable current. Even under heavy RF driving conditions, the gate current can be reduced by a proper negative bias on the gate. However, because the GaAs FET has a very high impedance at low frequencies, it is more vulnerable to static charge or transient spike damage. Extreme care must be exercised during device handling and testing, and spike protection circuits are recommended.

Acknowledgments

GaAs FET development has taken a long time and much

team effort. Many people contributed to the project during the many different phases of the program. Their combined efforts made the end product possible. Special acknowledgment should go to C. Liechti and E. Gowen of HP Laboratories for their initial device and process development; to C. Li for his continuous effort in LPE work; to M. Marcelja, R. Tillman and C.C. Chang for their final state process development work; and to A. Chu, P. Froess, P. Chen and D. Lynch for their contributions in device characterization, testing, and reliability evaluations.

References

1. C.A. Mead, "Schottky-Barrier Gate Field Effect Transistor," Proceedings of the IEEE, Vol. 54, p. 307, 1966.
2. D.A. Abbott and J.A. Turner, "Some Aspects of GaAs MESFET Reliability," IEEE Transactions on Microwave Theory and Techniques, Vol. 24, p. 317, 1976.
3. T. Irie et al., "Reliability Study of GaAs MESFETs," IEEE Transactions on Microwave Theory and Techniques, Vol. 24, p. 321, 1976.

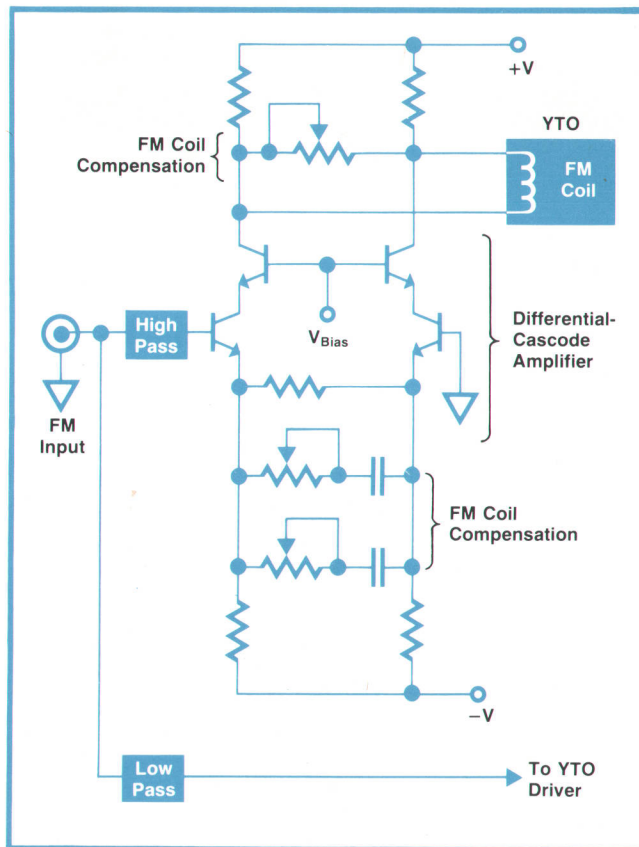


Fig. 5. FM driver splits the FM input signal into high and low frequencies. Low frequencies go to the YTO driver, high frequencies to the YTO FM coil.

his ALC circuit design work and coordination of the 86242C/250C production introduction. The original idea of a differential cascode FM driver was provided by Steve Sparks. Roger Stancliff provided useful advice on ALC circuitry. Mechanical design by Bill Misson proved cost-effective and easy to assemble. Dave Eng provided the industrial design. Microcircuit package design and fabricated part processes

were provided by Rich Swain and Al Willits. GaAs FET microcircuit assembly process development was provided by Floyd Bishop, Tom Jerse, and Pete Planting. Production engineering support came from Ken Wong at the instrument level and Val Peterson on the microcircuits. The operation and service manual was authored by Steve Williams. Tom Babb and Jim Arnold developed the instrument field support plan. We are also grateful for the leadership of Jack Dupre during this development project.

Reference

1. P.R. Hernday and C.J. Enlow, "A High-Performance 2-to-18-GHz Sweeper," Hewlett-Packard Journal, March 1975.

New Low-Noise GaAs FET Chip has 25-Milliwatt Output at 10 GHz

Although the GaAs FET transistor used in the 86242C and 86250C RF Plug-Ins is not available commercially, a similar device is available from HP. The first of a new family of gallium arsenide Schottky-barrier field-effect transistors from Hewlett-Packard, the HFET-1000 chip has a 14.5-dBm linear power output at 10 GHz. Noise figure at 10 GHz is 3.6 dB typical with 6.9 dB associated gain; maximum available gain at that frequency is 11.0 dB.

Designed for general use in telecommunications, radar, and other low-noise amplifiers in the 2-to-12-GHz range, this new GaAs FET has a 1-by-500-micrometre gate. The chip is rugged both mechanically and electrically for easy wire bonding and die attaching. A scratch and dust resistant layer covers the active device area.

The HFET-1000 chip shows very good consistency from one production run to the next. The devices undergo 100% visual inspection and dc testing.

SPECIFICATIONS
HP Model 86242C or 86250C RF Plug-Ins in
8620C Sweep Oscillator

Frequency		86242C	86250C
FREQUENCY RANGE:		5.9 to 9.0 GHz	8.0 to 12.4 GHz
FREQUENCY ACCURACY:			
(25°C)			
CW MODE:		±35 MHz	±40 MHz
ALL SWEEP MODES			
(Sweep Time >0.1 sec):		±40 MHz	±50 MHz
FREQUENCY STABILITY:			
TEMPERATURE:		±750 kHz/°C	±1.2 MHz/°C
10% LINE VOLTAGE			
CHANGE:		±40 kHz	±40 kHz
10 dB POWER LEVEL			
CHANGE:		±1.5 MHz	±1.5 MHz
RESIDUAL FM IN			
10 kHz BANDWIDTH			
(CW MODE)		<15 kHz peak	<15 kHz peak

Power Output		(Applies to both models)	
MAXIMUM LEVELED POWER:	(25°C)	>17.0 dBm	
INTERNALLY LEVELED:	(Opt. 001):	>17.0 dBm	
POWER VARIATION:			
UNLEVELED:		<±3.0 dB	
INTERNALLY LEVELED:	(OPT. 001):	<±0.5 dB	
EXTERNALLY LEVELED:	(excluding Coupler and Detector variation):	<±0.1 dB	
SPURIOUS SIGNALS	(below fundamental at 17 dBm):		
HARMONICS:		>30 dB	
NONHARMONICS:		>60 dB	
RESIDUAL AM:			
(AM noise in 100 kHz bandwidth below maximum power output):		>50 dB	

SOURCE VSWR:	
50:1 nominal impedance	
LEVELED (internal leveling only):	>1.6
UNLEVELED TYPICALLY:	<2.5

Modulation
 (Applies to both models)

EXTERNAL FM:
 MAXIMUM DEVIATION FOR MODULATION FREQUENCIES: dc - 100 Hz, ±150 MHz; dc - 1 MHz, ±7 MHz; dc - 10 MHz, ±1.5 MHz
 FM FREQUENCY RESPONSE: ±1.5 dB (dc - 10 MHz)
 SENSITIVITY: (nominal) FM mode -20 MHz/V; Phase-lock mode -6 MHz/V

INTERNAL AM:
 1 kHz Squarewave, RF Blanking, and Marker ON/OFF Ratio: >40 dB
 EXTERNAL AM: Specific requirements* guaranteeing HP 8755 operation with ±5V, 27.8 kHz square wave mod drive connected to external AM input. *Symmetry: 40/60; ON/OFF Ratio: >40 dB

PRICES IN U.S.A.:
 86242C RF PLUG-IN: \$3850
 86250C RF PLUG-IN: \$3850
 Opt. 001 (Internal leveling): \$450
 Opt. 004 (Rear panel RF output): \$50

MANUFACTURING DIVISION: SANTA ROSA DIVISION
 1400 Fountain Grove Parkway
 Santa Rosa, California 95404 U.S.A.

SPECIFICATIONS
HP Model HFET-1000 Microwave GaAs FET Chip

DESCRIPTION: The HFET-1000 is a Gallium Arsenide Schottky Barrier Field Effect Transistor Chip designed for low noise figure, high gain and substantial power at 10 GHz. The chip is provided with a dielectric scratch protection layer over the active area. The gate width is 500 micrometers resulting in a typical linear output power greater than 25 mW.

ELECTRICAL SPECIFICATIONS AT T_A = 25°C

Symbol	Parameters and Test Conditions	Min.	Typ.	Max.
I _{DSS}	Saturated Drain Current (mA) V _{DS} = 4.0 V, V _{GS} = 0 V	40		120
V _{GS} P	Pinch Off Voltage (V) V _{DS} = 4.0 V, I _{DSS} = 100 μA	-1.5		-5.0

g _m	Transconductance (mmho) V _{DS} = 4.0 V, ΔV _{GS} = 0 V to -0.5 V	30	45
G _{a(max)}	Maximum Available Gain (dB) V _{DS} = 4.0 V, V _{GS} = 0 V		
	f = 8 GHz	13.0	
	10 GHz	11.0	
	12 GHz	9.5	
F _{min}	Noise Figure (dB) V _{DS} = 3.5 V I _{DS} = 15% I _{DSS} (Typ. 12 mA)		
	f = 8 GHz	2.9	
	10 GHz	3.5	
	12 GHz	4.1	
G _a	Associated Gain At N.F. Bias (dB) f = 8 GHz		
	10 GHz	8.9	
	12 GHz	8.9	
P _{1dB}	Power at 1 dB Compression (dBm) V _{DS} = 4.0 V I _{DS} = 50% I _{DSS} f = 10 GHz		14.5

MAXIMUM RATINGS AT T_A = 25°C

Symbol	Parameter	Limits
V _{DS}	Drain to Source Voltage -5V ≤ V _{GS} ≤ 0 V	5V
V _{GS}	Gate to Source Voltage 5.0 V ≥ V _{GS} ≥ 0.0 V	-5V
T _{CH} **	Max. Channel Temperature Storage Temperature	125°C -65°C to +125°C

*Max. Forward Gate Current should not exceed 1 mA.
 **R_{ΘCB} - Thermal resistance, channel to back of chip = 100°C/W.

PRICE IN U.S.A.: 1-9, \$135 ea. 10-24, \$105 ea.
 MANUFACTURING DIVISION: MICROWAVE SEMICONDUCTOR DIVISION
 3172 Porter Drive
 Palo Alto, California 94304 U.S.A.

Patrick H. Wang



Pat Wang is section manager for GaAs device technology in HP's Microwave Technology Center. With HP since 1966, he's been concerned with the development of microwave integrated circuits, microwave IC amplifiers, and microwave transistors. An IEEE member, he's authored six papers on microwave transistors for IEEE publication and conferences. Pat received his BA degree in literature from National Taiwan University in 1960 and his MSEE degree from Stanford University in 1966. He's married, has three daughters, lives in Santa Rosa, California, and is interested in photography.

Louis J. Kuhlman, Jr.



Jack Kuhlman received his BSEE and MSEE degrees from the University of Washington in 1969 and 1971. With HP since 1971, he's done production and development engineering on YIG-tuned oscillators, served as project leader for the 86242C and 86250C RF Plug-Ins, and designed the GaAs FET amplifier used in the plug-ins. Jack was born in Snohomah, Washington, and now lives in Santa Rosa, California. He's married and has three children. He enjoys carpentry and woodworking—he and his wife have designed and built two houses—and outdoor activities like skiing, camping, hunting, and gardening.

Hewlett-Packard Company, 1501 Page Mill Road, Palo Alto, California 94304

HEWLETT-PACKARD JOURNAL

NOVEMBER 1976 Volume 28 • Number 3

Technical Information from the Laboratories of Hewlett-Packard Company

Hewlett-Packard Central Mailing Department
 Van Heuven Goedhartlaan 121
 Amstelveen-1134 The Netherlands
 Yokogawa-Hewlett-Packard Ltd., Shibuya-Ku
 Tokyo 151 Japan

Editorial Director • Howard L. Roberts
 Managing Editor • Richard P. Dolan
 Art Director, Photographer • Arvid A. Danielson
 Illustrator • Linda B. Chapa
 Administrative Services, Typography • Anne S. LoPresti
 European Production Manager • Tina Eysten

Bulk Rate
 U.S. Postage
 Paid
 Hewlett-Packard
 Company

CHANGE OF ADDRESS

To change your address or delete your name from our mailing list please send us your old address label (it peels off). Send changes to Hewlett-Packard Journal, 1501 Page Mill Road, Palo Alto, California 94304 U.S.A. Allow 60 days.